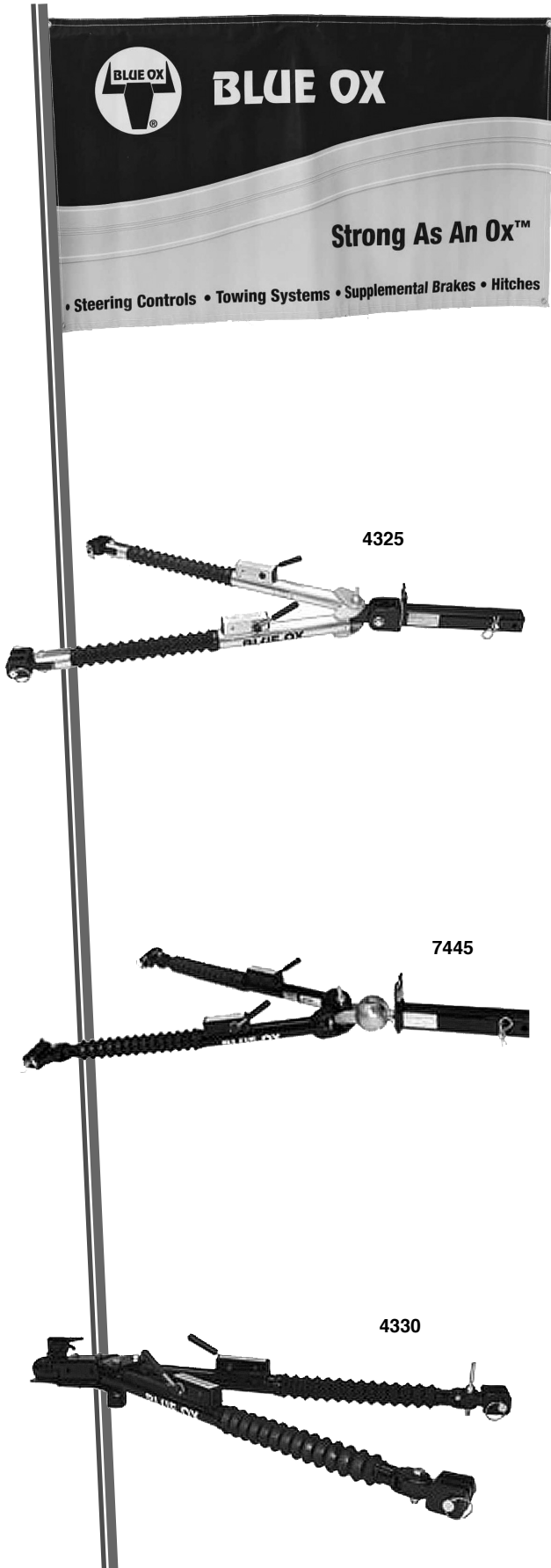


TOWBARS AND ACCESSORIES



BLUE OX[®] TOW BARS



Matching Base Plates are available to meet your towing needs.

From Saturns to S-10 pickups, if you're looking for the right base plate, Look to Automatic Blue Ox.

ALADDIN[™]

The lightest and newest tow bar in the Blue Ox[®] line is the all-new Aladdin. Its direct-connect, fold-away design is a proven favorite among towing enthusiasts.

- Ultra-light, ultrastrong aluminum tow bar; weighs just 17 1/2 pounds.
- Self-aligning to allow simple one-person hitching and unhitching.
- Folds and stores directly on the RV.
- Unique pivot design eliminates ball mount, ball coupler and hitch ball, reducing concerns about ball height.
- Designed to fit Blue Ox base plates and brackets. Not tested for towing with other base plates or brackets.
- Class III, 5,000-pound rated.

AVENTA[®] II

The newly re-engineered Aventa[®] II combines the convenience of a direct receiver hitch connection with the practicality of a maintenance-free design. Easy release handles and rubber-protected arms ensure dependable operation.

- Lubricated arms telescope and tow bar stores on the motorhome for quick and easy hook-ups.
- Offers a higher clearance than ballmounted tow bars.
- Pin-free locking mechanism secures tow bar to back of motorhome when not in use.
- Long-lasting performance at a competitive price.
- Direct connection to 2-inch receiver provides additional security.
- Class III, 5,000- pound rated.

ACCLAIM

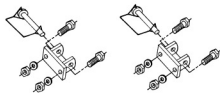
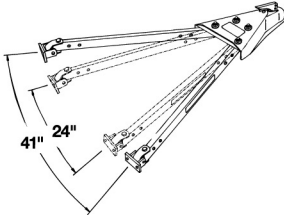
This entry-level, steel version of the Acclaim[™] tow bar offers a maintenance-free design at a very attractive price. Easy-to-operate lock release levers simplify hook-ups.

- Excellent towing value!
- Fold-away design eliminates storage hassles.
- Durable rubber boots protect slide arms from dust and grime.
- Self-aligning connector arms simplify connections.
- Class III, 5,000- pound rated.

TOWBARS AND ACCESSORIES



2480
63180



40602

ADJUSTABLE TOW BARS

5,000 LBS. ADJUSTABLE TOW BAR



- Light-weight, only 31 lbs.
- Arms adjust from 24" to 41" for universal fit
- Tow bar mounting brackets bolt securely to vehicle bumper - (almost all applications will require a custom fabricated bracket due to bumper design)
- Some applications require a custom bracket due to bumper design
- Heavy-duty quick latch a-frame coupler fits 2" ball
- Tow bar comes assembled, complete with installation instructions
- Black powder coat finish



Part No.	Qty.	Description
63180	1	Adjustable Tow Bar, 5,000 lbs. GVW, incl. mounting brackets
2480	1	Adjustable Tow Bar, 5,000 lbs. GVW, incl. mounting brackets
44171	1	Safety Cable Kit, 4.5' cables rated at 5,000 lbs.
40602	1	Replacement Bumper Bracket Kit
2471	1	Wire Lock Pin

NOTE: Total weight of towed vehicle must not exceed 5,000 lbs., or must not exceed the weight of the towing vehicle.

8861 -
4 wire cable

8862 -
6 wire cable.



COILED ELECTRICAL CABLES



- Available in 8861 4- and 8862 6-wire models.
- Wire connections encased in silicone.
- Reversible plug connectors allow quick hooking and unhooking.
- Locking connector and expanding cable virtually eliminate accidental disconnecting.
- Expands from 1 to 7 feet.

89 xx



SPEEDOMETER DISCONNECT



- Prevents miles from being accumulated on towed vehicle.
 - Connects in-line between speedometer cable and transmission.
 - Only two electrical wires to connect.
 - 12-volt DC power from towing vehicle.
 - Operates automatically from towing vehicle.
- Not for sale in Washington or Oregon.



8875 Aladdin -
Aventa II cover

TOW BAR COVER



- Available for Blue Ox® Aladdin™, Blue Ox Aventa®
- Made of heavy-duty, vinyl-coated fabric.
- Easy to put on and take off.
- Protects your tow bar when folded.
- Keeps tow bar clean.



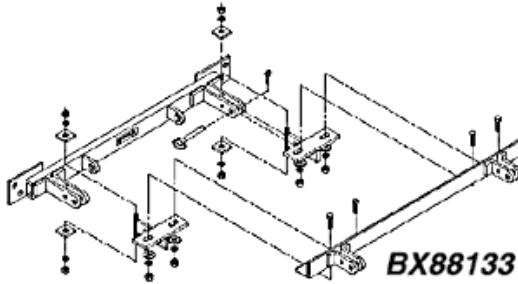
8811 Universal
(except Saturn)
8847 All Saturns
8848 4 Diode Kit

TAILLIGHT WIRING KITS

8869 Universal

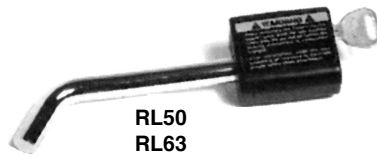
- Connects towed vehicle light system to the RV's brake light wiring.
 - Includes diode blocks to prevent electrical feedback.
 - Easy to install.
-
- Bulb and socket taillight wiring kit
 - Easy to install.

TOW BAR ACCESSORIES



BASE PLATE ADAPTER

- Adapts non-24" base plate to a 24" base plate.
- 88133** Base Plate Adapter



RL50
RL63

RECEIVER LOCKS

- Locks Blue Ox® tow bars to base plate and ball mount to prevent theft.
 - Prevents accidental unhitching.
 - Sturdy construction for strength and durability.
- RL50** - 1/2-inch Class I or II.
RL63 - 5/8-inch Class II or III.
88101 - Three (3) Receiver Locks Keyed Alike



44171
4.5' Length



SAFETY CABLE KIT

- Plastic-coated, aircraft-grade cable.
 - Available in 4- and 6-foot lengths.
 - Heavy-gauge steel connectors.
 - Rated at 5,000-pound GWV.
- 44171** - 4.5' length.



BLUE OX DROP RECEIVERS

- Lowers or raises the 2" connection to alter hitching heights.
 - Class III, 10,000-pound rated.
- 88128** (2" Rise/Drop)
88129 (4" Rise/Drop)
88130 (6" Rise/Drop)
88131 (8" Rise/Drop)
88132 (10" Rise/Drop)



ROLLER HITCH PROTECTOR

- Protects tow bar from scraping when going over dips and driveways. Can be used with drop receivers.

88198 Roller Hitch Protector



MAGNETIC TOWLIGHT KITS

- 4-way flat hookup
- Available 26' connector and 30' connector
- Sealed, watertight housing
- Plastic carrying case included
- Mounts in any position vertically or horizontally

Part No.	Qty	Description
18148	1	Magnetic Towlight Kit 26' Connector
TL257M	1	Heavy-Duty Towlight Kit 30' Connector
V555	1	Viz-Pack Towlight Kit, 25' Connector
TL21RK	1	Towlight Kit, 25' Connector

