

CARGO CONTROL • RAMPS / RAMP KITS / TIE-DOWNS



SR69 AND SR77 TRI-FOLD RAMPS

FULTON™

- Tri-Fold design is constructed of durable, rust-resistant aluminum
- Rungs are riveted for added strength, spaced 8" apart, and replaceable
- Full-width top plate with non-marring, vinyl backing provides added stability and smooth transition between ramp and loading surface
- Side rails feature raised edges to help guide wheels when loading and unloading.
SR77 side rails have grooves to hold 1/4" plywood decking (plywood not included with SR77 model) - ideal for loading snowmobiles
- Dual stability chains with S hooks for securing ramp to loading surface
- SR69 folds to 15" in width, SR77 folds to 16" in width
- 1500 lb.. distributed load capacity - 400 lb. point load capacity

PART NO.	DESCRIPTION	PACKAGE
SR69	Tri-Fold Utility Ramp - 45" wide x 69" long	(1) Each
SR77	Tri-Fold Utility Ramp - 50" wide x 77" long	(1) Each

CFR FOLDING RAMPS

FULTON™



- Load it, Fold it, Store it!
- Great for 4-Wheelers, snowmobiles, lawn tractors and motorcycles.
- Available in cross beam style-load tested for up to 700 lbs. per ramp.
- Folds for convenient storage.

PART NO.	DESCRIPTION	PACKAGE
CFR	Folding Utility Ramp - 12" wide x 85" long	(1) Each

RAMP KITS

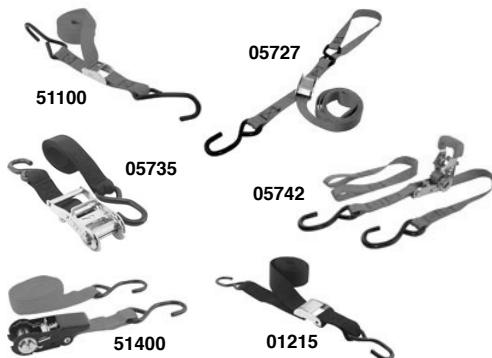
ERICKSON
MANUFACTURING LTD.

FULTON™



Aluminum or zinc-plated steel loading ramp plates can quickly convert a 2" x 8' board into a quick and very inexpensive loading ramp to load your ATV, motorcycle, lawn mower, etc. into your pickup or onto a trailer. Available in 2 sizes.

PART NO.	DESCRIPTION	PACKAGE
07100	Erickson Aluminum Ramp Plate - 350 lb. capacity	(1) Each
07200	Erickson Aluminum Ramp Plate - 700 lb. capacity	(1) Each
RE8TB	Fulton Zinc Plated Steel Ramp Plate - 700 lb. capacity	(1) Each



LIGHT-DUTY STRAPS MOTORCYCLE / ATV TIE-DOWNS

ERICKSON
MANUFACTURING LTD.

PART NO.	DESCRIPTION	RATING	PACKAGE
51100	(1) 1" x 10' Cam Strap	300 lbs.	Bulk
05727	(2) 1" x 6' Soft Tie Cam Straps	1200 lbs.	2 Pack Bulk
05735	(2) 1-1/2" x 6' Ratchet Straps	3000 lbs.	2 Pack Bulk
05742	(2) 1" x 6' Ratchet Straps Includes Assist Straps	2000 lbs.	2 Pack Bulk
51400	(1) 1" x 15' Ratchet Strap	500 lbs.	Bulk
01215	(1) 2" x 15' Cam Buckle Strap	1200 lbs.	Bulk

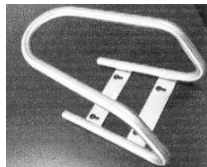
CARGO CONTROL • WHEEL CHOCKS / MOTORCYCLE CHOCKS



RUBBER WHEEL CHOCKS



PART NO.	DESCRIPTION (W x D x H)	WEIGHT
WC1467	Rubber Wheel Chock (5" x 6" x 5")	2.80 lbs.
WC2256A	Heavy-Duty Rubber Wheel Chock (7" x 10.25" x 8.13")	11.15 lbs.
WC6810L	Heavy-Duty Rubber Wheel Chock w/ Chain Eye (10" x 8" x 6")	8.25 lbs.



TUBULAR MOTORCYCLE WHEEL CHOCKS

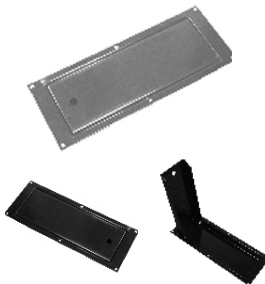


Made by the folks at MARSON International, this chock is constructed of 1" diameter non-rusting 304 Stainless Steel. The one man installation can be performed from the top side with the included unique fastener system. Once mounted the chock is set up for quick removal. Also available constructed of silver powder-coated steel. Additional fastener kits are available separately.



Z101-0100

PART NO.	DESCRIPTION
T101-2003	Stainless Steel Motorcycle Wheel Chock w/ Fasteners
T200-2003S	Silver Powder Coated Steel Motorcycle Wheel Chock w/ Fasteners
Z101-0100	Hardware Fastener System (4 pieces)

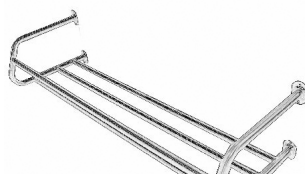


RECESSED MOTORCYCLE WHEEL CHOCKS



Made by the folks at MARSON International, available in 16" and 24" lengths. These black powder coated chocks offer a neat looking in-bed installation. They are flush mount, Heavy-Duty with steel pan & lid. When not in use they can offer convenient tie-down strap storage.

PART NO.	DESCRIPTION
T436-1634B	16" Recessed Motorcycle Chock
T436-2400B	24" Recessed Motorcycle Chock



MOTORCYCLE HELMET AND ACCESSORY RACKS



Made by the folks at MARSON International, available in 24", 32' and 48" lengths. These are constructed of 1-1/4" 304 Stainless Steel. Restraint bars hug riding apparel nicely. Has easy mount flange. Arrives fully assembled.

PART NO.	DESCRIPTION
T101-2400	24" Helmet and Accessory Rack
T101-3200	32" Helmet and Accessory Rack
T101-4800	48" Helmet and Accessory Rack

TRUCK AND TRAILER SAFETY EQUIPMENT



449 WARNING TRIANGLE KIT



Three triangles packaged in sturdy, corrosion-proof plastic box. One-piece triangles feature "living hinges"; foldout tabs lock together. Heavy base and non-skid tabs withstand 40 mph wind. Bright fluorescent orange for daytime visibility. Box measures 20" x 5" x 5".

PART NO.	DESCRIPTION	PKG.
449	Complete Warning Triangle Kit	Box Pack



1015 SAFETY TRIANGLE KIT WITH FLARES AND FIRE EXTINGUISHER



- Three warning triangles
- One 2.75 lb. 10 B.C. Extinguisher with bracket mounted to inside of lid.
- Three 20-minute fuses.
- All Efficiently organized in a heavy-duty carrying case with handle.

Size: 20.5" long x 10.5" wide x 9.5" high.

PART NO.	DESCRIPTION	PKG.
1015	Safety Triangle Kit - Poly Case	Box Pack
1015S	Safety Triangle Kit - Metal Case w/ Vue Window	Box Pack



FIRE EXTINGUISHERS • SAFETY FLARES



PART NO.	DESCRIPTION	WEIGHT
10BC	Kidde Fire Extinguisher	2.50 lbs.
3A10BC	Fire control Heavy Duty Truck and Fleet 5lb. Rechargeable Fire Extinguisher Class (ABC) With Metal Valve, pressure gauge and Supplied with metal retention bracket	5.00 lbs.
MISFLARES	20 Minute Flare with Wire Holder	

FIRST AID KITS



PART NO.	DESCRIPTION	WEIGHT
8044	Orion Road Trip First Aid Kit Contains 44 pieces Gasketed, weater-proof polypropylene case for long-lasting durability Enough bandages to treat 16 minor incidents.	
8128	Orion Travelers First Aid Kit Contains 128 pieces Gasketed, weather-proof polypropylene case for long-lasting durability Enough bandages to treat over 50 minor incidents. Specially designed case for spill-proof wall mounting and asy access	

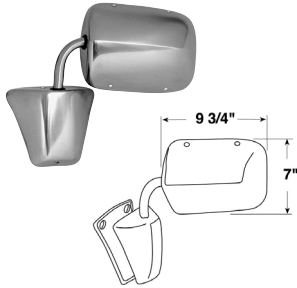


ANTI-SKID TAPE



PART NO.	DESCRIPTION	WEIGHT
AST60	Anti-Skid tape, Self-Adhesive, 2" x 60" Roll	3.00 lbs.
AST460	Anti-Skid tape, Self-Adhesive, 4" x 60" Roll	4.50 lbs.

SAFETY & REPLACEMENT MIRRORS

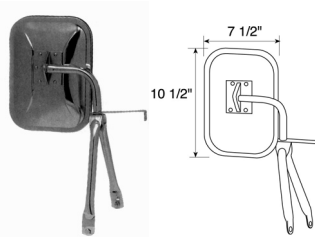


REPLACEMENT MIRROR CHEVY/GMC PICKUP AND VAN



Replacement for Chevy and GMC mirrors, while universal design fits most full-size pickups and vans. Large 9 3/4" x 7" mirror head mounts below eye level for an un-obstructed view.

PART NO.	DESCRIPTION	PKG.	QTY.
657X	Stainless Steel Mirror	Viz Pack	1

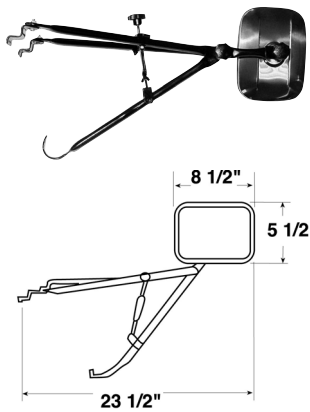


UNIVERSAL SWING-WAY MIRROR



Universal design, fits Chevy, GMC, Ford and many other makes. Large 10 1/2" x 7 1/2" mirror head with vinyl cushioned mirror glass has swing-away arm design and offset mounting.

PART NO.	DESCRIPTION	PKG.	QTY.
821	Stainless Steel Mirror	Viz Pack	1

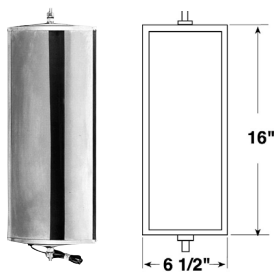


UNIVERSAL FENDER MOUNT MIRROR



Bracket assembly fits most passenger car and light truck applications. Stainless steel mirror head and black epoxy-coated arms are fully adjustable.

PART NO.	DESCRIPTION	PKG.	QTY.
653X	Black / Stainless Steel Mirror	Viz Pack	1
830	5" x 7" Replacement Head for 653X	Viz Pack	1



6-1/2" X 16" PILLOW BACK REPLACEMENT MIRROR HEAD



Universal OEM-style, West Coast replacement mirror head features corrosion-free stainless steel back and 5/16" center rod. 617X features bright, stainless-steel back and end caps.

PART NO.	DESCRIPTION	PKG.	QTY.
617X	6-1/2" x 16" Replacement Mirror Head	Viz Pack	1



32000



49088

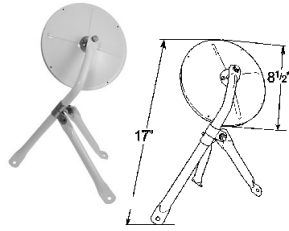
DAY/NIGHT INTERIOR REAR VIEW MIRRORS



Day/Night feature for comfortable driving. Fits OEM mounting on most cars, trucks or vans with included mounting bracket. Additional mounting button also included.

PART NO.	DESCRIPTION	PKG.
32000	10" Day/Night Rear View Mirror	Display Pack
49088	Universal mounting pieces for use with most rearview mirrors. Bonds in minutes	Display Pack

SAFETY SPOTTING MIRRORS



8.5" WHITE TRI-MIRROR

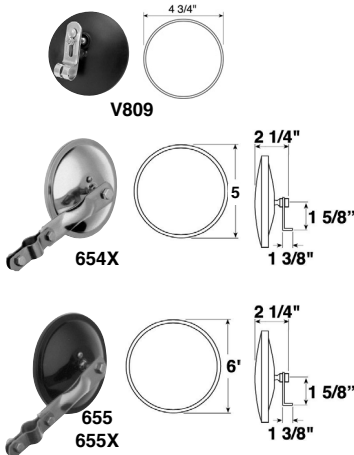
- Improves Safety on Straight Trucks & Delivery Trucks
- Rugged Tri-Pod Mount for Front or Rear
- Reflective: 56 Sq. Inches
- Finish: Stainless & White

PART NO.	DESCRIPTION	PKG
40204	Cham-Cal 8.5" White Safety Tri-Mirror	Bulk



CLAMP ON CONVEX MIRRORS

Series can be mounted to bottom of any West Coast mirror or clamp on arm of any assembly. Packaged in a see-through box.

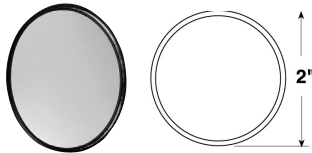


PART NO.	DESCRIPTION	PKG.	QTY.
V809	4-3/4" Clamp On Mirror Black ABS housing w/ bright plated bracket	Viz Pack	1
654X	5" Clamp On Mirror Stainless Steel w/ bright plated bracket	Viz Pack	1
655	6" Clamp On Mirror Black ABS housing w/ bright plated bracket	Viz Pack	1
655X	6" Clamp On Mirror Stainless Steel w/ bright plated bracket	Viz Pack	1



2" ROUND BLIND SPOT MIRROR

Convex 2" diameter glass, molded, black corrosion-free housing. Weather-resistant adhesive back sticks to any clean, flat surface. Packaged one per display card.



PART NO.	DESCRIPTION	PKG.	QTY.
V600	2" Round Convex Mirror	Viz Pack	1



3" ROUND HOT SPOT MIRROR

Convex 3" diameter glass, molded, black corrosion-free housing. Weather-resistant adhesive back sticks to any clean, flat surface. Packaged one per display card.

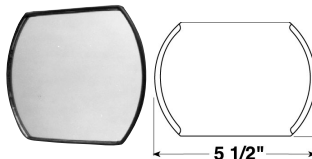


PART NO.	DESCRIPTION	PKG.	QTY.
49202	3" Round Convex Mirror	Viz Pack	1



4" X 5-1/2" RECTANGULAR BLIND SPOT MIRROR

4" x 5 1/2" convex mirror glass in a molded, black, corrosion-free housing. Adhesive back permanently installs to any clean, flat surface. Packaged one per display card.



PART NO.	DESCRIPTION	PKG.	QTY.
V602	Peterson Rectangular Convex Mirror	Viz Pack	1
49402	CIPA Rectangular Convex Mirror	Viz Pack	1