

BRAKE ASSEMBLIES

ELECTRIC BRAKE ASSEMBLIES

(complete backing plate assemblies)



PART#	SIZE	DESCRIPTION
23-47	7" x 1 1/4"	LH w/ 4 mtg. studs - fits 2 & 2.8k axles
23-48	7" x 1 1/4"	RH w/ 4 mtg. studs - fits 2 & 2.8k axles
23-26	10" x 2 1/4"	LH w/ 4 mtg. studs - fits 3.5k axles, green magnet wire
23-27	10" x 2 1/4"	RH w/ 4 mtg. studs - fits 3.5k axles, green magnet wire
23-26-I [^]	10" x 2 1/4"	LH w/ 4 mtg. studs - fits 3.5k axles, green magnet wire
23-27-I [^]	10" x 2 1/4"	RH w/ 4 mtg. studs - fits 3.5k axles, green magnet wire
EB0510GL	10" x 2 1/4"	MARINE LH w/ 4 mtg. studs - fits 3.5k axles, "shark-skin" coated backing plate w/ "shark-skin" & stainless steel components
EB0510GR	10" x 2 1/4"	MARINE RH w/ 4 mtg. studs - fits 3.5k axles, "shark-skin" coated backing plate w/ "shark-skin" & stainless steel components
23-105	12" x 2"	LH w/5 hole pattern - fits 5.2k & 6k axles, white magnet wire
23-106	12" x 2"	RH w/5 hole pattern - fits 5.2k & 6k axles, white magnet wire
23-105-I [^]	12" x 2"	LH w/5 hole pattern - fits 5.2k & 6k axles, white magnet wire
23-106-I [^]	12" x 2"	RH w/5 hole pattern - fits 5.2k & 6k axles, white magnet wire
23-180	12" x 2"	LH w/5 hole pattern - fits 7k axles, black magnet wire
23-181	12" x 2"	RH w/5 hole pattern - fits 7k axles, black magnet wire
EBEW0520GL	12" x 2"	MARINE LH w/5 hole pattern - fits 5.2k & 6k axles, "shark-skin" coated backing plate w/ "shark-skin" & stainless steel components wired with "plug & play" connections
EBEW0520GR	12" x 2"	MARINE RH w/5 hole pattern - fits 5.2k & 6k axles, "shark-skin" coated backing plate w/ "shark-skin" & stainless steel components wired with "plug & play" connections
23-369	12 1/4" x 2 1/2"	RH w/9 flange bolts - fits 7.2k axle, oval mag. w/white wire
23-370	12 1/4" x 2 1/2"	LH w/9 flange bolts - fits 7.2k axle, oval mag. w/white wire
23-428	12 1/4" x 2 1/2"	LH w/cast 4 hole plate - fits 7.2k axle, oval mag. w/white wire
23-429	12 1/4" x 2 1/2"	RH w/cast 4 hole plate - fits 7.2k axle, oval mag. w/white wire
23-434	12 1/4" x 3 3/8"	LH w/ 4 hole pattern - fits 8k axles, white magnet wire
23-435	12 1/4" x 3 3/8"	RH w/ 4 hole pattern - fits 8k axles, white magnet wire
23-450	12 1/4" x 3 3/8"	LH w/ 7 hole pattern - fits 9 & 10k general duty axles, yellow magnet wire
23-451	12 1/4" x 3 3/8"	RH w/ 7 hole pattern - fits 9 & 10k general duty axles, yellow magnet wire
23-438	12 1/4" x 4"	LH w/ 7 hole pattern - fits 10k HD axles, yellow magnet wire
23-439	12 1/4" x 4"	RH w/ 7 hole pattern - fits 10k HD axles, yellow magnet wire
23-204*	12 1/4" x 5"	LH w/ 7 hole pattern - fits 15k HD axles, blue magnet wire
23-205*	12 1/4" x 5"	RH w/ 7 hole pattern - fits 15k HD axles, blue magnet wire
23-442	12 1/4" x 5"	LH w/ 7 hole pattern - fits 12k HD axles, black magnet wire
23-443	12 1/4" x 5"	RH w/ 7 hole pattern - fits 12k HD axles, black magnet wire

* denotes special order

[^] I added to part number denotes value-priced manufacturer

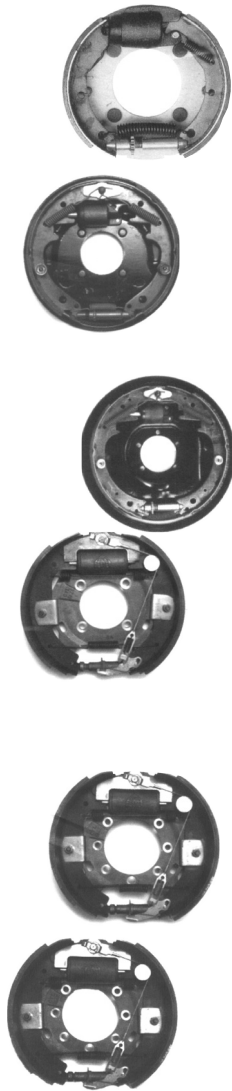
BRAKE ASSEMBLY MOUNTING BOLTS

PART#	SIZE	DESCRIPTION
5720	3/8" - 5 PACK	5 Bolt Mount Pattern (12" Assemblies - Use 6-67 Nuts)
5721	7/16" - 4 PACK	4 Bolt Mount Pattern (10" Assemblies - Use 6-92 Nuts)

HYDRAULIC BRAKE ASSEMBLIES



- Notes:**
1. Uni-servo hydraulic brakes utilize a single acting wheel cylinder. When backing up with a surge mechanism, however, if there is more brake force on the trailer than the tow vehicle can override, no trailer backing is possible. The "free backing" brake was developed to allow backing in this situation, where the primary shoe rotates away from the drum when backing up
 2. Duo-servo hydraulic brakes utilize a dual piston wheel cylinder. This type of brake is typically found in vacuum/hydraulic braking systems
 3. "Sharkskin" coated brakes are designed to perform in salt water.



PART#	SIZE	DESCRIPTION	(complete backing plate assemblies)
23-256	7" x 1 3/4"	Atwood LH uni-servo w/ 4 mtg. studs - fits up to 2.5k axles	
23-257	7" x 1 3/4"	Atwood RH uni-servo w/ 4 mtg. studs - fits up to 2.5k axles	
D44420	8 1/2" x 2 1/4"	Dico RH duo-servo w/ 4 mtg. studs - fits 3.5k axles	
D44421	8 1/2" x 2 1/4"	Dico LH duo-servo w/ 4 mtg. studs - fits 3.5k axles	
23-312	10" x 2 1/4"	LH uni-servo w/ 4 mtg. studs - fits 3.5k axles	
23-313	10" x 2 1/4"	RH uni-servo w/ 4 mtg. studs - fits 3.5k axles	
23-344-1	10" x 2 1/4" free backing	LH "marine" uni-servo w/ 4 mtg. studs - fits 3.5k axles	MARINE
23-345-1	10" x 2 1/4" free backing	RH "marine" uni-servo w/ 4 mtg. studs - fits 3.5k axles	MARINE
0500GAL	10" x 2 1/4" free backing	LH uni-servo w/ 4 hole pattern - fits 3.5k axles "shark-skin" coated with aluminum cylinder	MARINE
0500GAR	10" x 2 1/4" free backing	RH uni-servo w/ 4 hole pattern - fits 3.5k axles "shark-skin" coated with aluminum cylinder	MARINE
0500GP	10" x 2 1/4" free backing	Pair as above - boxed 1 (one) LH and 1 (one) RH	
D44234	10" x 2 1/4" free backing	RH uni-servo w/4 hole pattern - fits 3.5k axles "Galv-X" coated with zinc-plated cylinder	MARINE
D44235	10" x 2 1/4" free backing	LH uni-servo w/4 hole pattern - fits 3.5k axles "Galv-X" coated with zinc-plated cylinder	MARINE
Note: "marine" brakes are specially coated with stainless steel springs to resist corrosion, and do not include mounting studs			
23-324	12" x 2"	LH uni-servo w/ 5 hole pattern - fits 5.2k & 6k axles	
23-325	12" x 2"	RH uni-servo w/ 5 hole pattern - fits 5.2k & 6k axles	
23-342-1	12" x 2" free backing	LH uni-servo w/ 5 hole pattern - fits 5.2k & 6k axles	
23-343-1	12" x 2" free backing	RH uni-servo w/ 5 hole pattern - fits 5.2k & 6k axles	MARINE
0512GAL	12" x 2"	LH uni-servo w/ 5 hole pattern - fits 5.2k & 6k axles "shark-skin" coated with aluminum cylinder	MARINE
0512GAR	12" x 2"	RH uni-servo w/ 5 hole pattern - fits 5.2k & 6k axles "shark-skin" coated with aluminum cylinder	MARINE
DAL12	12" x 2" free backing	LH uni-servo w/ 5 hole pattern - fits 5.2k & 6k axles "shark-skin" coated with aluminum cylinder	MARINE
DAR12	12" x 2" free backing	RH uni-servo w/ 5 hole pattern - fits 5.2k & 6k axles "shark-skin" coated with aluminum cylinder	MARINE
Note: "marine" brakes are specially coated with stainless steel springs to resist corrosion, and do not include mounting studs			
23-138*	12 1/4" x 3 3/8"	LH duo-servo w/ 4 hole pattern - fits 8k axles	
23-139*	12 1/4" x 3 3/8"	RH duo-servo w/ 4 hole pattern - fits 8k axles	
23-410*	12 1/4" x 3 3/8"	LH duo-servo w/ 7 hole pattern - fits 9 & 10k gen. duty axles	
23-411*	12 1/4" x 3 3/8"	RH duo-servo w/ 7 hole pattern - fits 9 & 10k gen. duty axles	
23-404*	12 1/4" x 4"	LH duo-servo w/ 7 hole pattern - fits 10k HD axles	
23-405*	12 1/4" x 4"	RH duo-servo w/ 7 hole pattern - fits 10k HD axles	
23-147*	12 1/4" x 5"	LH duo-servo w/ 7 hole pattern - fits 12k axles	
23-148*	12 1/4" x 5"	RH duo-servo w/ 7 hole pattern - fits 12k axles	
23-406*	12 1/4" x 5"	LH duo-servo w/ 7 hole pattern - fits 15k axles	
23-407*	12 1/4" x 5"	RH duo-servo w/ 7 hole pattern - fits 15k axles	

*denotes special order

FULTON™ BRAKE FLUSH KIT



#0600
10" / 12" Hydraulic
Brake Flush Kit

HYDRAULIC DISC BRAKES



PART#	SIZE	DESCRIPTION
D48430	10" - Fits 3.5K Axles with 68149 / 44649 Bearings 5 on 4.5" Bolt Circle	Complete Silver Cadmium Coated End Kit includes bracket, caliper, bearing buddy w/braked vented hub/rotor and pads (for one side)
86814	10" - Fits 3.5K Axles with 68149 / 44649 Bearings 5 on 4.5" Bolt Circle	Disc Brake Kit - Complete End Kit includes bracket, aluminum caliper, E-Z lube vented hub/rotor and pads (for one side)
86815	12" - Fits 5.2K Axles with 25580 / 15123 Bearings 6 on 5.5" Bolt Circle	Disc Brake Kit - Complete End Kit includes bracket, aluminum caliper, E-Z lube vented hub/rotor and pads (for one side)



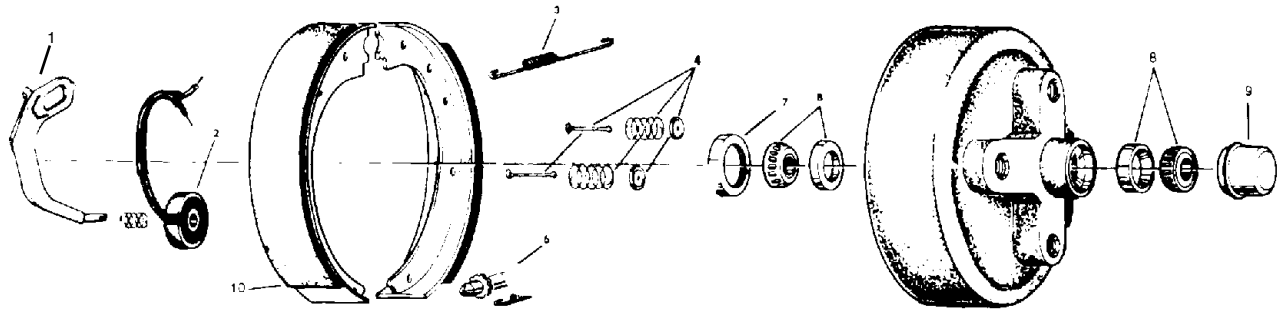
TITAN

D4841201		D48430 Replacement Caliper RH
D4841202		D48430 Replacement Caliper LH
D48409		D48430 Replacement Caliper Bracket
D48411	10" - 5 on 4.5" Bolt Circle	D48430 Replacement Integral Hub/Rotor

ELECTRIC BRAKE REPLACEMENT PARTS



DEXTER 7" X 1 1/4"



PART NO.	ILLUS. NO.	PART NAME
5203	1	Actuating Lever - R.H.
5204	1	Actuating Lever - L.H.
5104**	2	Magnet Kit
5113***	2	Magnet Kit
5320*	3	Return Spring
5320*	4	Hold Down Clips

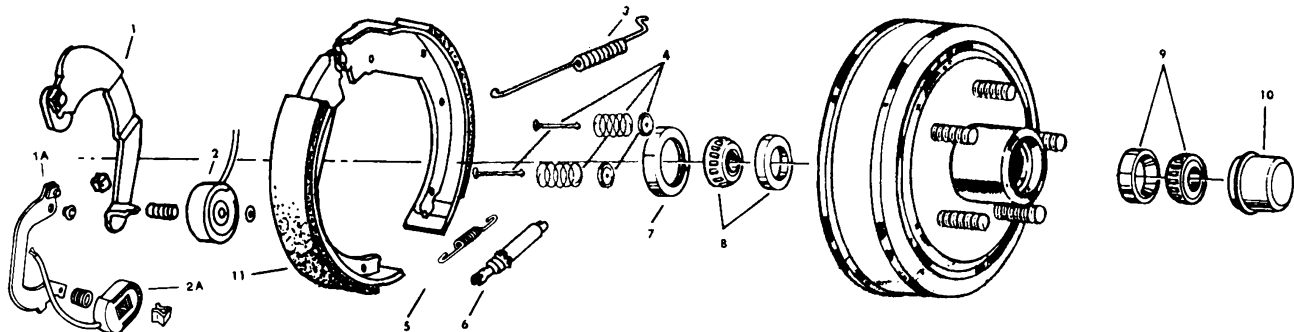
PART NO.	ILLUS. NO.	PART NAME
5320*	5	Adjusting Screw Spring
5320*	6	Adjusting Screw Assembly
5603	7	Seal - BTR (Axle Set)
5651	9	Grease Cap (Axle Set)
5502	8	Bearing Set - Inner & Outer
5002	10	Shoe and Lining Kit

*Contained in Hardware Kit (Axle Kit)

**5104 Prior to 4-1990

***5113 After 4-1990 to accommodate lever revision

DEXTER 10" X 1 1/2"



PART NO.	ILLUS. NO.	PART NAME
5223(N/A)*	1	Actuating Lever - R.H.
5231**	1A	Actuating Lever - L.H.
5224 (N/A)*	1	Actuating Lever - L.H.
5232**	1A	Actuating Lever - L.H.
5113*	2	Magnet Kit
5118*	2A	Magnet Kit
5306	3	Return Spring Set (Axle Set)
5356	4	Hold Down Kit (Axle Set)

PART NO.	ILLUS. NO.	PART NAME
5404	5,6	Adjusting Screw Kit (Spring & Screw Assembly)
5607	7	Seal (Axle Set)
5651	10	Grease Cap (Axle Set)
5507	8	Bearing Set - Inner
5502	9	Bearing Set - outer
5009	11	Shoe and Lining Kit (Axle Set)

*Prior to Mid 1988

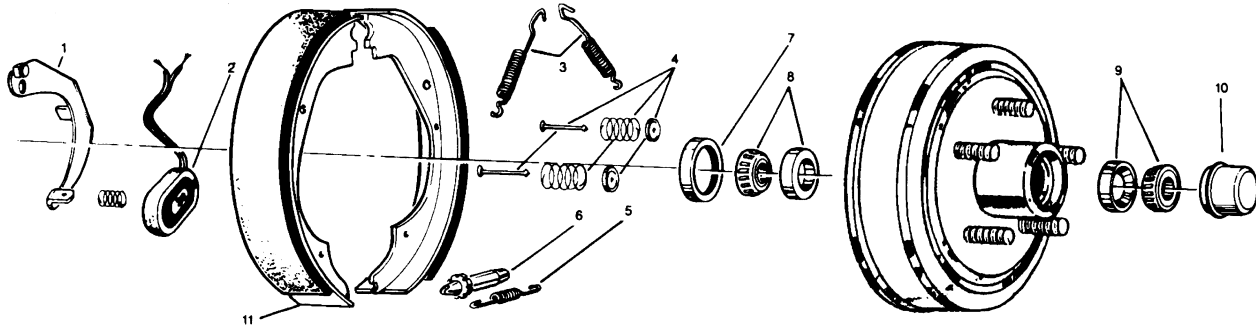
**After Mid 1988

(N/A) - No Longer Available

ELECTRIC BRAKE REPLACEMENT PARTS

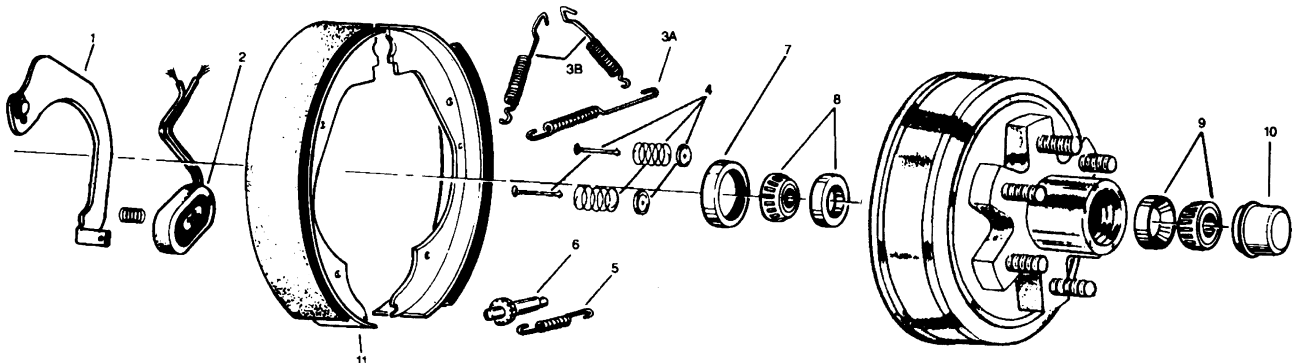


DEXTER 10" X 2 1/4" & AL-KO 10" X 2 1/4"



PART NUMBER	ILLUSTRATION NUMBER	PART NAME
5209	1	Actuating Lever - R.H.
5210	1	Actuating Lever - L.H.
5106	2	Magnet Kit
5305	3	Return Spring Set (Axle Set)
5353	4	Hold Down Kit (Axle Set)
5404	5, 6	Adjusting Screw Kit (Spring & Screw Assembly)
5604	7	Seal (Axle Set)
5651	10	Grease Cap (Axle Set)
5506	8	Bearing Set - Inner (Prior to Dec. 1983)
5505	8	Bearing Set - Inner (After Dec. 1983)
5502	9	Bearing Set - Outer
5003	11	Shoe and Lining Kit

DEXTER 12" X 2" & AL-KO 12" X 2"



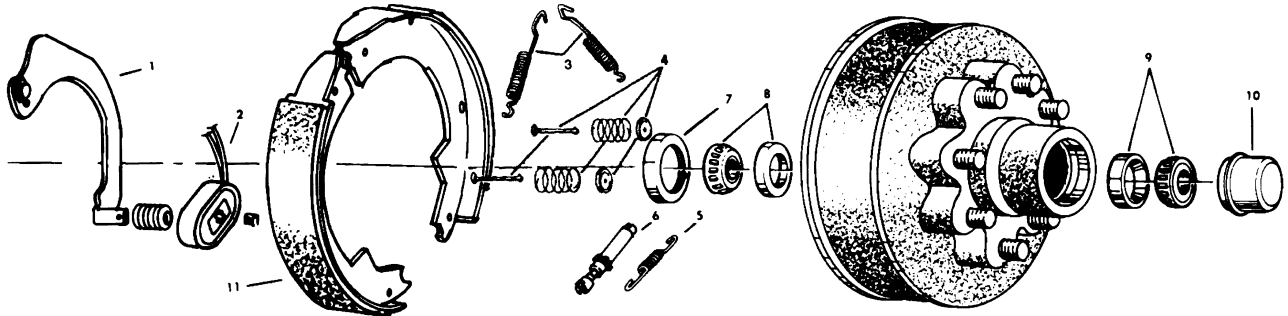
PART NUMBER	ILLUSTRATION NUMBER	PART NAME
5215	1	Actuating Lever - R.H.
5216	1	Actuating Lever - L.H.
5109	2	Magnet Kit
5307	3A	Single Retractor
5305	3B	Dual Retractor
5353*	4	Hold Down Kit (Axle Set)
5404	5, 6	Adjusting Screw Kit (Spring & Screw Assembly)
5606	7	Seal (Axle Set)
5652	10	Grease Cap (Axle Set)
5503	8	Bearing Set - Inner
5507	9	Bearing Set - Outer
5000DX	11	Shoe and Lining Kit

*Replacement Kit Uses Coil Springs

ELECTRIC BRAKE REPLACEMENT PARTS

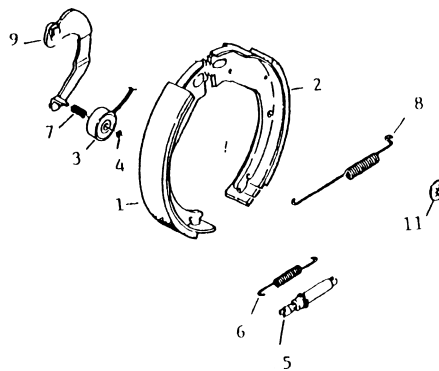


DEXTER 12" X 2" 7K



PART NUMBER	ILLUSTRATION NUMBER	PART NAME
5215	1	Actuating Lever - R.H.
5216	1	Actuating Lever - L.H.
5114	2	Magnet Kit
5305	3	Return Spring Set (Axle Set)
5353	4	Hold Down Kit (Axle Set)
5404	5, 6	Adjusting Screw Kit (Spring & Screw Assembly)
5606	7	Seal (Axle Set)
5652	10	Grease Cap (Axle Set)
5503	8	Bearing Set - Inner
5508	9	Bearing Set - Outer (865 HUB)
5509	9	Bearing Set - Outer (UTG Hub)
5010	11	Shoe and Lining Kit

DEXTER MOBILE HOME - BRAKE 12" X 2"



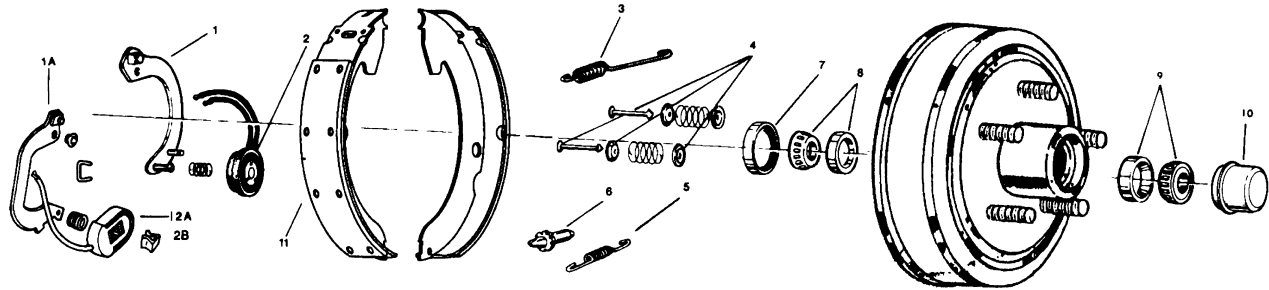
PART #	REF #	PART NAME
40-123	1	SHOE - PRIMARY
40-124	2	SHOE - SECONDARY
5107	3	MAGNET, SPRING (46 - 80) & RETAINING CLIP (27 - 9)
27-9	4	MAGNET RETAINING CLIP
5404	5	ADJUSTER ASSEMBLY
46-18	6	ADJUSTER SPRING (BLUE)
46-80	7	SPRING, MAGNET
46-82	8	SPRING, RETRACTOR
47-95	9	ACTUATING LEVER (LEFT HAND & RIGHT HAND)
71-32		HOLD DOWN, SRAP (NOT SHOWN)
46-30	11	SHOE RETAINER, PUSH NUT

Complete Assembly Not Available.

ELECTRIC BRAKE REPLACEMENT PARTS



HAYES 10" X 1 5/8"

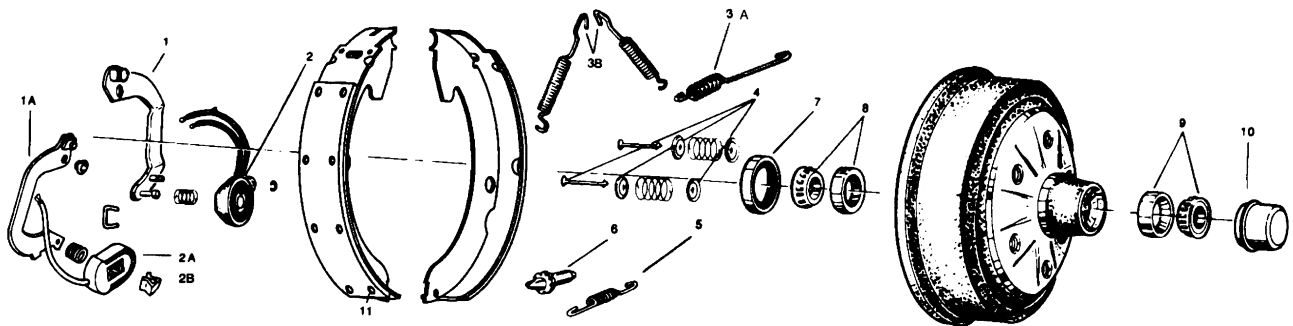


PART NO.	ILLUS. NO.	PART NAME
5221(N/A)*	1	Actuating Lever - R.H.
5233(N/A)**	1A	Actuating Lever - R.H.
5222(N/A)*	1	Actuating Lever - L.H.
5234(N/A)**	1A	Actuating Lever - L.H.
5105*	2	Magnet Kit (4.5K Axies)
5106**	2A	Magnet Kit (6K & 7k Axies)
5101-HA***	2B	Magnet Kit - White Wire
5304	3	Return Spring Set (Axle Set)

PART NO.	ILLUS. NO.	PART NAME
5355	4	Hold Down Kit (Axle Set)
5404	5, 6	Adjusting Screw Kit (Spring & Screw Assembly)
5604	7	Seal (Axle Set)
5651	10	Grease Cap (Axle Set)
5507	8	Bearing Set - Inner
5502	9	Bearing Set - Outer
5008	11	Shoe and Lining Kit

*Replaces Lever And Use 5106 Magnet
 After Mid 1987, *After Late 1994
 (N/A) - No Longer Available

HAYES 10" X 2 1/4"



PART NO.	ILLUS. NO.	PART NAME
5207*	1	Actuating Lever - R.H.
5205**	1A	Actuating Lever - R.H.
5208*	1	Actuating Lever - L.H.
5206**	1A	Actuating Lever - L.H.
5105*	2	Magnet Kit
5106**	2A	Magnet Kit
5101-HA	2B	Magnet Kit - White Wire Late 1994
5304	3A	Single Retractor

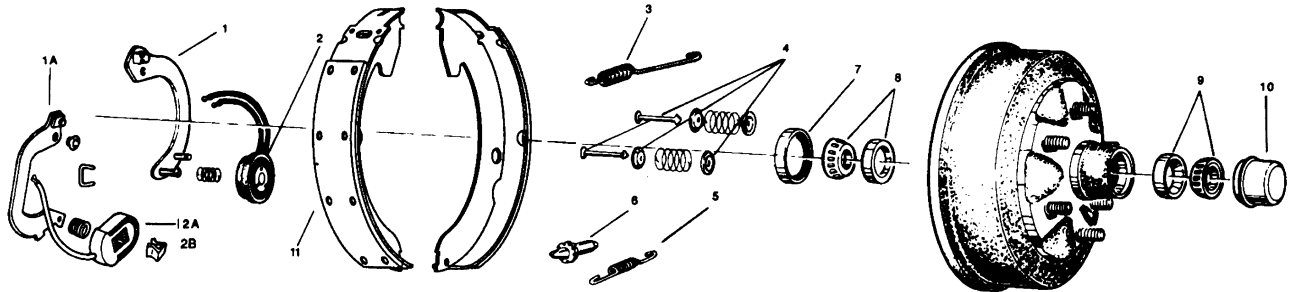
PART NO.	ILLUS. NO.	PART NAME
5305	3B	Dual Retractor
5353	4	Hold Down Kit (Axle Set)
5404	5,6	Adjusting Screw Kit (Spring & Screw Assembly)
5604	7	Seal (Axle Set)
5651	10	Grease Cap (Axle Set)
5505***	8	Bearing Set - Inner
5502	9	Bearing Set - Outer
5004	11	Shoe and Lining Kit (Axle Set)

*Prior to Mid 1987, **After Mid 1987, ***After 1972

ELECTRIC BRAKE REPLACEMENT PARTS



HAYES 12" X 2"



PART NO.	ILLUS. NO.	PART NAME
5213(N/A)*	1	Actuating Lever - R.H.
5211**	1A	Actuating Lever - R.H.
5214(N/A)*	1	Actuating Lever - L.H.
5212**	1A	Actuating Lever - L.H.
5108*	2	Magnet Kit
5109**	2A	Magnet Kit
5101-HA	2B	Magnet Kit - White Wire Late 1994
5307	3	Return Spring Set (Axle Set)

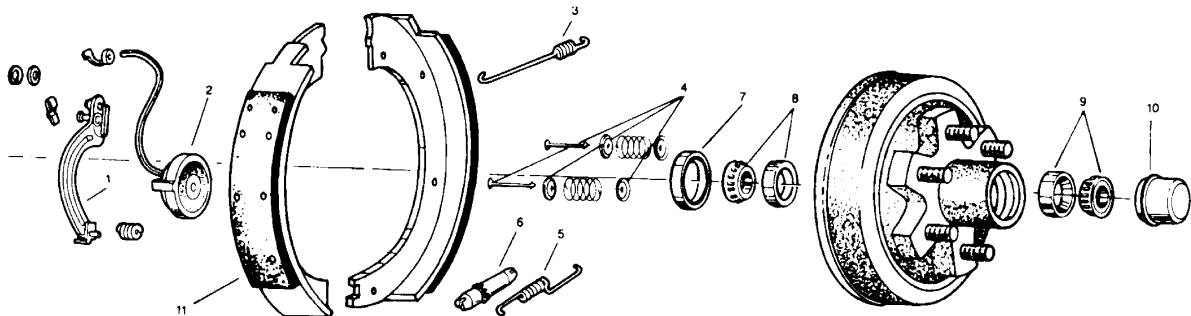
PART NO.	ILLUS. NO.	PART NAME
5353	4	Hold Down Kit (Axle Set)
5404	5,6	Adjusting Screw Kit (Spring & Screw Assembly)
5605	7	Seal (Axle Set)
5652	10	Grease Cap (Axle Set)
5503	8	Bearing Set - Inner
5507	9	Bearing Set - Outer
5000 HA	11	Shoe and Lining Kit (Axle Set)

*Prior to Late 1987

**After Late 1987

(N/A) - No Longer Available

HAYES 12" X 2" CENTERLINE



PART NO.	ILLUS. NO.	PART NAME
5217(N/A)*	1	Actuating Lever - R.H.
5218(N/A)*	1	Actuating Lever - L.H.
5219(N/A)**	1	Actuating Lever - R.H.
5220(N/A)**	1	Actuating Lever - L.H.
5111(N/A)	2	Magnet Kit (4.5K Axles)
5112(N/A)	2	Magnet Kit (6K & 7K Axles)
5308(N/A)	3	Return Spring Set (Axle Set)
5353	4	Hold Down Kit (Axle Set)
(N/A)	5,6	Adjusting Screw Kit (Spring & Screw Assembly)

PART NO.	ILLUS. NO.	PART NAME
5605	7	Seal (Axle Set)
5652	10	Grease Cap (Axle Set)
5503	8	Bearing Set - Inner
5507	9	Bearing Set - Outer
5006(N/A)	11	Shoe and Lining Kit (4.5K and 6K Axles)
5007(N/A)	11	Shoe and Lining Kit (7K Axles)

*5217 and 5218 Prior to Mid 1984

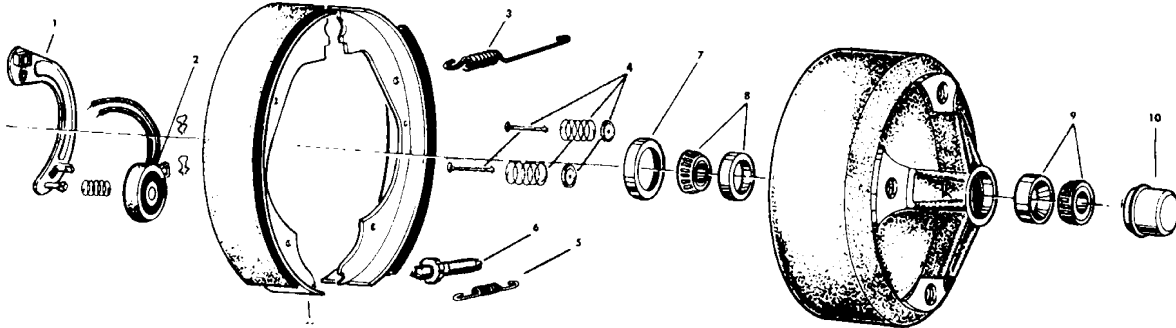
**5219 and 5220 After Mid 1984 - 5220 Shown in illustration above

(N/A) - No Longer Available

ELECTRIC BRAKE REPLACEMENT PARTS



FAYETTE 10" X 2 1/4"



PART NO.	ILLUS. NO.	PART NAME
(N/A)	1	Actuating Lever - R.H.
(N/A)	1	Actuating Lever - L.H.
5110 (L/S)	2	Magnet Kit
5304	3	Return Spring Set (Axle Set)
5353*	4	Hold Down Kit (Axle Set)
5404	5,6	Adjusting Screw Kit (Spring & Screw Assembly)

PART NO.	ILLUS. NO.	PART NAME
5604	7	Seal (Axle Set)
5651	10	Grease Cap (Axle Set)
5505***	8	Bearing Set - Inner
5502	9	Bearing Set - Outer
5011**	11	Shoe and Lining Kit

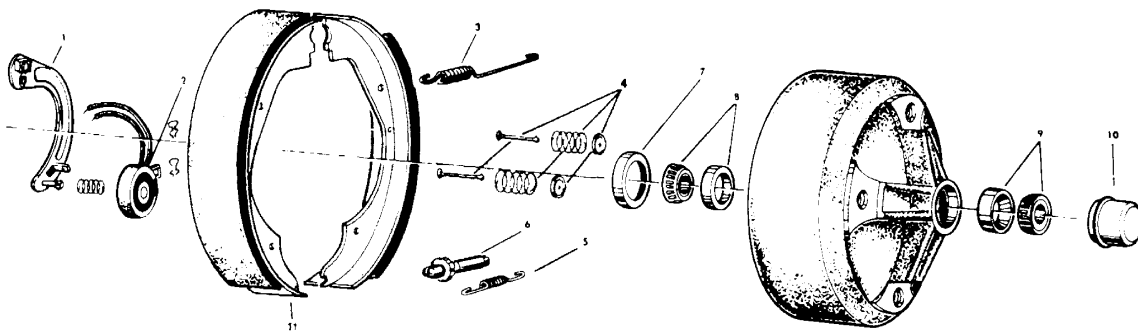
*Contained in Hardware Kit (Axle Kit)

**Bonded Shoes

***After 1972

(L/S) - Limited Supply

FAYETTE 12" X 2"



PART NO.	ILLUS. NO.	PART NAME
(N/A)	1	Actuating Lever - R.H.
(N/A)	1	Actuating Lever - L.H.
5110(L/S)	2	Magnet Kit
5307	3	Return Spring Set (Axle Set)
5353*	4	Hold Down Kit (Axle Set)
5404	5,6	Adjusting Screw Kit (Spring & Screw Assembly)

PART NO.	ILLUS. NO.	PART NAME
5605	7	Seal (Axle Set)
5652	10	Grease Cap (Axle Set)
5503	8	Bearing Set - Inner
5507	9	Bearing Set - Outer
5000-DX**	11	Shoe and Lining Kit

*Replacement Kit Uses Coil Springs

**Bonded Shoes

(L/S) - Limited Supply

(N/A) - No Longer Available

MAGNET REFERENCE GUIDE (UP TO 12" X 2" BRAKES)

5101-HA-WHITE WIRES



Length = 3 1/8 Width = 2 Thickness = 15/16
 Fits or Replaces:
 Hayes 10 x 1 5/8, 10 x 2 1/4, 12 x 2
 (All - Replaces in pairs) (All - After Late 1994)



ELECTRIC BRAKE MAGNETS

5104-YELLOW WIRES



Length = 2 1/32 Width = 1 31/32 Thickness = 3/4
 Fits or Replaces:
 Dexter 7 x 1 1/4 (Prior to April 1990)
 Trailer Pac 120, Tow Craft 1103-100-016

5110-WHITE WIRES (LIMITED STOCK)



Length = 3 3/8 Width = 2 7/16 Thickness = 15/16
 Fits or Replaces:
 Fayette 10 x 2 1/4, Fayette 12 x 2
 Trailer Pac 108, 109
 Tow Craft 1103-100-005, 1103-100-021

5105-RED WIRES



Length = 3 1/4 Width = 2 3/8 Thickness = 7/8
 Fits or Replaces:
 Hayes 10 x 2 1/4, (Prior to Mid 1987)
 Hayes 10 x 1 5/8, (Prior to Mid 1987)
 Trailer Pac 100, Tow Craft 1103-100-001

5113-WHITE WIRES



Length = 2 1/16 Width = 1 15/16 Thickness = 3/4
 Fits or Replaces:
 Dexter 10 x 1 1/2 (Prior to Mid 1988)
 Dexter 7 x 1 1/4 (After April 1990)

5106- GREEN WIRES



Length = 3 1/8 Width = 2 Thickness = 15/16
 Fits or Replaces:
 Dexter 10 x 2 1/4
 Hayes 10 x 2 1/4 (After Mid 1987)
 Hayes 10 x 1 5/8 (After Mid 1987)
 Trailer Pac 102, Tow Craft 1103-100-017

5114-BLACK WIRES



Length = 3 1/8 Width = 2 Thickness = 15/16
 Fits or Replaces:
 Dexter 10 x 1 1/2, 12 x 2 - 7K axles

5107-WHITE WIRES



Length = 2 5/8 Width = 2 5/8 Thickness = 15/16
 Fits or Replaces:
 Foreman 12 x 2, Trailer Pac 113
 Tow Craft 1103-100-010

5118-YELLOW WIRES



Length = 3 1/8 Width = 2 Thickness = 15/16
 Fits or Replaces:
 Dexter 10 x 1 1/2 (After Mid 1988)

5108-RED WIRES



Length = 3 9/16 Width = 2 11/16 Thickness = 7/8
 Fits or Replaces:
 Hayes 12 x 2 (Prior to Late 1987)
 Trailer Pac 101 Tow Craft 1103-100-006

6106-LIGHT GREEN WIRES



Length = 3 1/8 Width = 2 Thickness = 15/16
 Fits or Replaces:
 AL-KO Kober 10 x 2 1/4

5109-WHITE WIRES



Length = 3 1/8 Width = 2 Thickness = 15/16
 Fits or Replaces:
 Dexter 12 x 2, Hayes 12 x 2 (After Late 1987)
 Trailer Pac 103 Tow Craft 1103-100-018

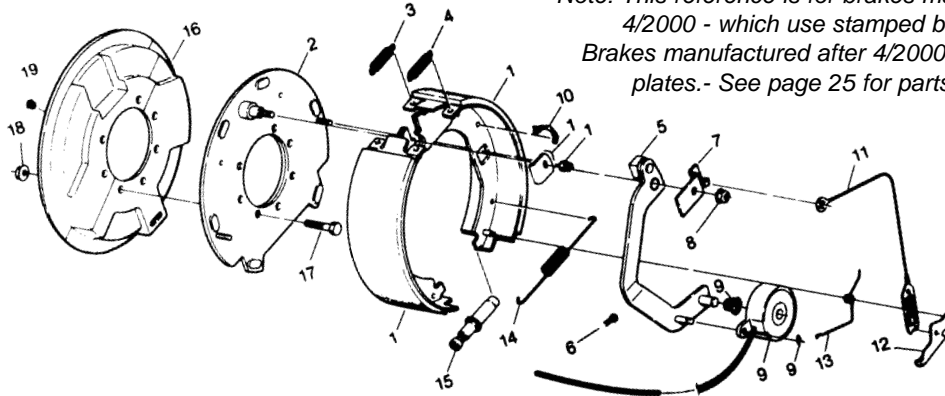
6109-WHITE WIRES



Length = 3 1/8 Width = 2 Thickness = 15/16
 Fits or Replaces:
 AL-KO Kober 12 x 2 6K & 7K

ELECTRIC BRAKE REPLACEMENT PARTS

DEXTER 12 1/4 X 3 3/8 ELECTRIC BRAKE (Manufactured through 4/2000)



Note: This reference is for brakes manufactured through 4/2000 - which use stamped backing plates. Brakes manufactured after 4/2000 use cast backing plates. - See page 25 for parts breakdown.

8K

ELECTRIC

ITEM	PART NO.	QTY. PER BRAKE	DESCRIPTION
0	23-434	1	LH Complete Brake Assembly
0	23-435	1	RH Complete Brake Assembly
1	71-49	1	LH Shoe & Lining Kit Containing: 1 #40-110-1 LH Primary S&L 1 #40-111-2 LH Secondary S&L 2 #5-107 Shoe Hold Down Washer 2 #6-127 Locknut
1	71-50	1	RH Shoe & Lining Kit Containing: 1 #40-111-1 RH Primary S&L 1 #40-110-2 RH Secondary S&L 2 #5-107 Shoe Hold Down Washer 2 #6-127 Locknut
2	36-50-3	1	Backing Plate Assembly
3	46-71	1	Shoe Return Spring-Rear (black)
4	46-83	1	Shoe Return Spring-Front (green)
5	47-123-38	1	LH Actuating Arm Assembly
	47-123-37	1	RH Actuating Arm Assembly
6	27-39	3	Wire Clips
7	71-455-1	1	LH Arm/Shoe Retainer
	71-455-2	1	RH Arm/Shoe Retainer
8	6-62	1	Flange Nut
9	71-375	1	Magnet Kit Containing: 1 #42-127 Magnet 1 #27-50 Magnet Retainer Clip 1 #46-117 Magnet Spring
10	71-18	1	Cable Guide
11	71-20	1	Adjuster Cable
12	71-19-1	1	LH Adjuster Lever
	71-19-2	1	RH Adjuster Lever
13	46-73	1	LH Adjuster Lever Spring (blue)
	46-74	1	RH Adjuster Lever Spring (white)
14	46-72	1	Adjuster Spring
15	48-9	1	LH Adjuster Assembly
	48-10	1	RH Adjuster Assembly
16	36-115-20	1	Dust Shield Kit, Top/Bottom
17	7-97	4	Brake Mounting Bolt
18	6-46	4	Brake Mounting Nut
19	46-16	1	Wire Grommet

9K & 10K GENERAL DUTY

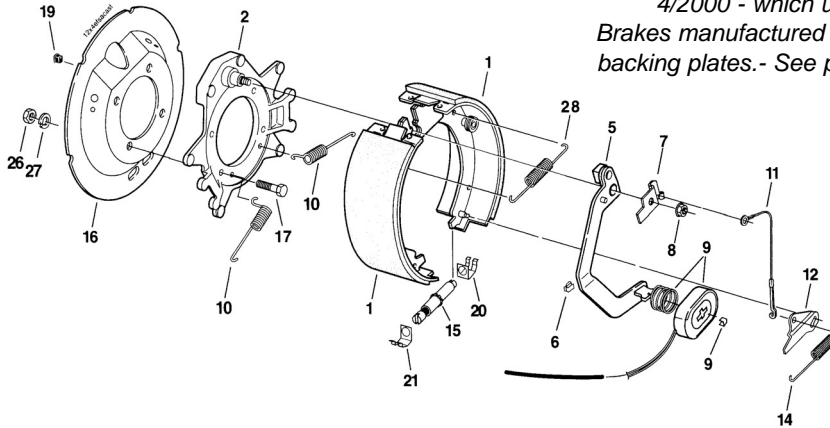
ELECTRIC

ITEM	PART NO.	QTY. PER BRAKE	DESCRIPTION
0	23-450	1	LH Complete Brake Assembly
0	23-451	1	RH Complete Brake Assembly
1	71-49	1	LH Shoe & Lining Kit Containing: 1 #40-110-1 LH Primary S&L 1 #40-111-2 LH Secondary S&L 2 #5-107 Shoe Hold Down Washer 2 #6-127 Locknut
1	71-50	1	RH Shoe & Lining Kit Containing: 1 #40-111-1 RH Primary S&L 1 #40-110-2 RH Secondary S&L 2 #5-107 Shoe Hold Down Washer 2 #6-127 Locknut
2	36-72-5	1	Backing Plate Assembly
3	46-71	1	Shoe Return Spring-Rear (black)
4	46-83	1	Shoe Return Spring-Front (green)
5	47-123-38	1	LH Actuating Arm Assembly
	47-123-37	1	RH Actuating Arm Assembly
6	27-39	3	Wire Clips
7	71-455-1	1	LH Arm/Shoe Retainer
	71-455-2	1	RH Arm/Shoe Retainer
8	6-62	1	Flange Nut
9	71-376	1	Magnet Kit Containing: 1 #42-129 Magnet 1 #27-50 Magnet Retainer Clip 1 #46-117 Magnet Spring
10	71-18	1	Cable Guide
11	71-20	1	Adjuster Cable
12	71-19-1	1	LH Adjuster Lever
	71-19-2	1	RH Adjuster Lever
13	46-73	1	LH Adjuster Lever Spring (blue)
	46-74	1	RH Adjuster Lever Spring (white)
14	46-72	1	Adjuster Spring
15	48-9	1	LH Adjuster Assembly
	48-10	1	RH Adjuster Assembly
16	36-115-21	1	Dust Shield Kit, Top/Bottom
17	7-116	4	Brake Mounting Bolt
18	6-92	4	Brake Mounting Nut
19	46-16, 27-14	1	Wire Grommet, Sleeve
NS	46-132	1	Adjuster Clip (Thread End)
NS	46-133	1	Adjuster Clip (Barrel End)

ELECTRIC BRAKE REPLACEMENT PARTS

DEXTER 12 1/4 X 3 3/8 ELECTRIC BRAKE (Manufactured after 4/2000)

Note: This reference is for brakes manufactured after 4/2000 - which use cast backing plates. Brakes manufactured through 4/2000 use stamped backing plates.- See page 24 for parts breakdown.



8K

ELECTRIC

ITEM	PART NO.	QTY. PER BRAKE	DESCRIPTION
0	23-434	1	LH Complete Brake Assembly
0	23-435	1	RH Complete Brake Assembly
1	71-499	1	LH Shoe & Lining Kit Containing: 1 #040-350-01 LH Primary S&L 1 #040-351-02 LH Secondary S&L
1	71-498	1	RH Shoe & Lining Kit Containing: 1 #040-350-01 RH Primary S&L 1 #040-351-02 RH Secondary S&L
2	36-119-02	1	Backing Plate Assembly
5	047-123-38	1	LH Actuating Arm Assembly
	047-123-37	1	RH Actuating Arm Assembly
6	27-39	3	Wire Clips
7	71-455-1	1	LH Arm/Shoe Retainer
	71-455-2	1	RH Arm/Shoe Retainer
8	6-62	1	Flange Nut
9	71-375	1	Magnet Kit Containing: 1 #42-127 Magnet 1 #27-50 Magnet Retainer Clip 1 #46-117 Magnet Spring
10	46-136	2	Centering Spring
11	71-462	1	Adjuster Cable
12	71-464	1	LH Adjuster Lever
	71-463	1	RH Adjuster Lever
14	46-137	1	Adjuster Spring
15	48-19	1	LH Adjuster Assembly (silver)
	48-20	1	RH Adjuster Assembly (gold)
16*	36-115-20	1	Dust Shield Kit, Top/Bottom
17*	7-97	4	Brake Mounting Bolt
19*	46-16	1	Wire Grommet
20	46-133	1	Adjuster Clip (barrel end)
21	46-132	1	Adjuster Clip (thread end)
26*	6-46	4	Brake Mounting Nut
27*	005-058-00	4	Lockwasher
28	46-119	1	Return Spring

*Not included with complete brake assembly. Items sold separately.

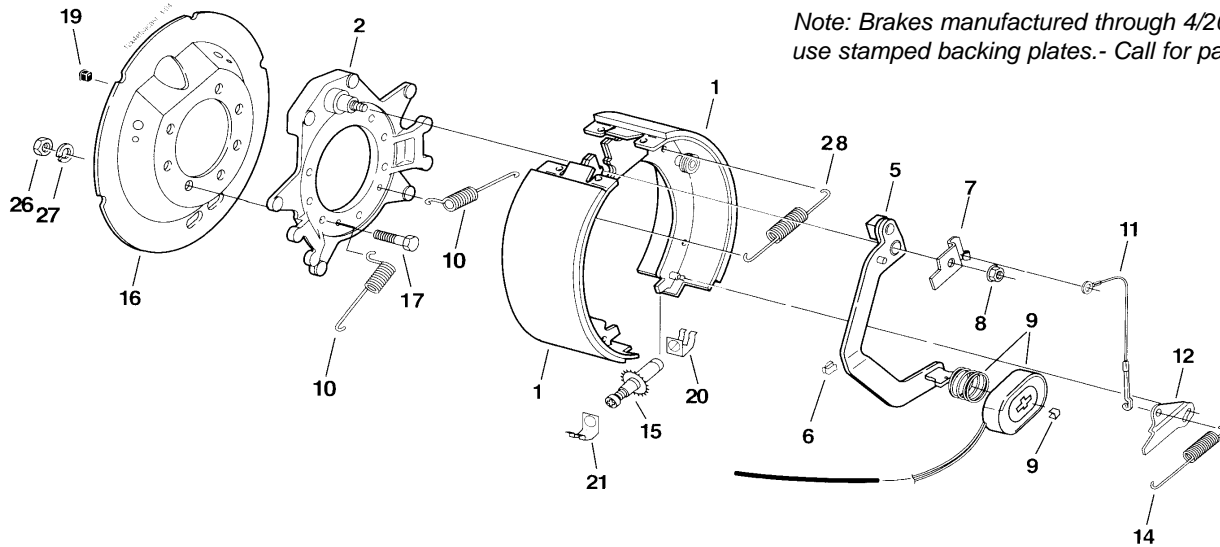
9K & 10K GENERAL DUTY

ELECTRIC

ITEM	PART NO.	QTY. PER BRAKE	DESCRIPTION
0	23-450	1	LH Complete Brake Assembly
0	23-451	1	RH Complete Brake Assembly
1	71-499	1	LH Shoe & Lining Kit Containing: 1 #40-351-01 LH Primary S&L 1 #40-350-02 LH Secondary S&L
1	71-498	1	RH Shoe & Lining Kit Containing: 1 #40-350-01 RH Primary S&L 1 #40-351-02 RH Secondary S&L
2	36-120-02	1	Backing Plate Assembly
5	47-123-38	1	LH Actuating Arm Assembly
	47-123-37	1	RH Actuating Arm Assembly
6	27-39	3	Wire Clips
7	71-455-1	1	LH Arm/Shoe Retainer
	71-455-2	1	RH Arm/Shoe Retainer
8	6-62	1	Flange Nut
9	71-376	1	Magnet Kit Containing: 1 #42-129 Magnet 1 #27-50 Magnet Retainer Clip 1 #46-117 Magnet Spring
10	46-136	1	Centering Spring
11	71-462	1	Adjuster Cable
12	71-464	1	LH Adjuster Lever
	71-463	1	RH Adjuster Lever
14	46-137	1	Adjuster Spring (yellow)
15	48-19	1	LH Adjuster Assembly
	48-20	1	RH Adjuster Assembly
16	36-115-21	1	Dust Shield Kit, Top/Bottom
17	7-116	4	Brake Mounting Bolt
19	46-16	1	Wire Grommet, Sleeve
20	46-132	1	Adjuster Clip (Thread End)
21	46-133	1	Adjuster Clip (Barrel End)
26	006-017-00	7	Brake Mounting Nut
27	005-008-00	7	Brake Mounting Lockwasher
28	46-119	1	Return Spring

ELECTRIC BRAKE REPLACEMENT PARTS

DEXTER HEAVY DUTY ELECTRIC BRAKES 10K, 12K, 15K MANUFACTURED AFTER 4/2000



Note: Brakes manufactured through 4/2000 use stamped backing plates.- Call for parts.

COMPLETE REPLACEMENT BRAKE ASSEMBLY

	12 1/4 X 4 10K	12 1/4 X 5 12K	12 1/4 X 5 15K
L.H.	23-438	23-442	23-446
R.H.	23-439	23-443	23-447

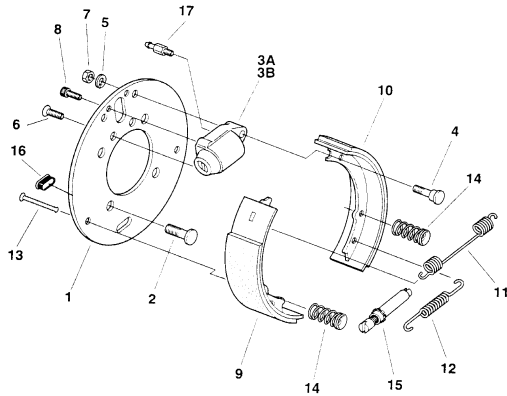
ITEM	DESCRIPTION	QT. PER BRAKE	12 1/4 X 4	12 1/4 X 5	12 1/4 X 5
			(10K) PART NO.	(12K) PART NO.	(15K) PART NO.
1	L.H. SHOE & LINING KIT	1	71-501	71-503	71-503
KIT MEMBERS	L.H. PRIMARY	1	040-352-01	040-354-01	040-354-01
	L.H. SECONDARY	1	040-352-02	040-354-02	040-354-02
1	R.H. SHOE & LINING KIT	1	71-500	71-502	71-502
KIT MEMBERS	R.H. PRIMARY	1	040-353-01	040-355-01	040-353-01
	R.H. SECONDARY	1	040-353-02	040-355-02	040-353-02
2	BACKING PLATE Assemblies	1	036-120-02	036-120-02	036-120-02
5	L.H. ACTUATOR ARM Assemblies	1	047-123-38	047-123-36	047-123-36
	R.H. ACTUATOR ARM Assemblies	1	047-123-37	047-123-35	047-123-35
6	WIRE CLIP	1	27-39	27-39	27-39
7	L.H. ARM/SHOE RETAINER	1	071-455-01	071-455-01	071-455-01
	R.H. ARM/SHOE RETAINER	1	071-455-02	071-455-02	071-455-02
8	FLANGE NUT	1	6-92	6-92	6-92
9	MAGNET KIT	1	71-376	71-377	71-378
KIT MEMBERS	MAGNET RETAINER CLIP	1	27-50	27-50	27-50
	MAGNET Assemblies	1	42-129	42-130	42-130
	MAGNET MTG. SPRING	1	46-117	46-117	46-117
10	CENTERING SPRING	1	46-136	46-136	46-136
11	ADJUSTER CABLE	1	71-462	71-462	71-462
12	L.H. ADJUSTER LEVER	1	71-464	71-464	71-464
	R.H. ADJUSTER LEVER	1	71-463	71-463	71-463
13	ADJUSTING SPRING	1	46-137	46-137	46-137
15	L.H. ADJUSTER Assemblies	1	48-19	48-19	48-19
	R.H. ADJUSTER Assemblies	1	48-20	48-20	48-20
16	DUST SHIELD	1	36-115-22	36-115-23	36-115-23
17	BRAKE MOUNTING SCREW	7	7-116	7-116	7-116
19	WIRE GROMMET	1	46-16	46-16	46-16
20	ADJUSTER CLIP (THREAD END)	1	46-132	46-132	46-132
21	ADJUSTER CLIP (BARREL END)	1	46-133	46-133	46-133
26	BRAKE MOUNTING NUT	7	6-92	6-92	6-92
27	BRAKE MOUNTING LOCKWASHER	7	005-008-00	005-008-00	005-008-00
28	RETURN SPRING	1	46-119	46-119	46-119

HYDRAULIC BRAKE REPLACEMENT PARTS



DEXTER 7 X 1 3/4" HYDRAULIC BRAKE - UNI-SERVO

2500 LBS. CAPACITY

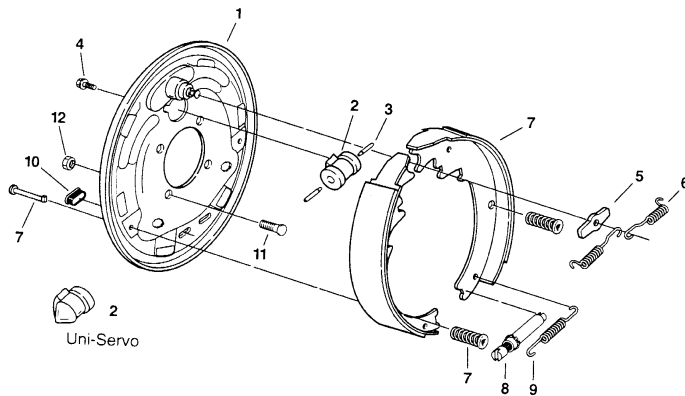


ITEM	PART NO.	QTY/BRK	DESCRIPTION
0	23-256	1	LH Complete Brake Assembly (CSA approved)
0	23-257	1	RH Complete Brake Assembly (CSA approved)
1	36-038	1	Backing Plate
2	07-041	4	Mounting Stud - Press-in
3A/3B	84210	1	Wheel Cylinder Assy. - Includes LH & RH
4	38-072	1	Anchor Post
5	05-004	1	Lock Washer
6	07-235	1	Counter Sunk Cap Screw
7	06-010	1	Hex Nut
8	07-234	1	Socket Head Cap Screw
9/10	19861	1	Kit includes 2 primary shoes and lining plus 2 secondary shoes and lining
11	46-126	1	Retractor Spring
12	46-127	1	Adjusting Screw Spring
13	49-014	2	Shoe Hold Down Pin
14	46-077	2	Shoe Hold Down Cup & Spring
15	43-029	1	Adjuster Screw Assembly
16	46-007	1	Adjuster Slot Plug
17	54-084	1	Bleeder Screw (brakes before 1/97)
17	54-088	1	Bleeder Screw (brakes after 1/97)

Note: Atwood & Dexter 7" hydraulic brakes & brake parts are interchangeable

DEXTER 10 X 2 1/4" HYDRAULIC BRAKE - UNI-SERVO

3500 LBS. CAPACITY



ITEM	PART NO.	QTY/BRK	DESCRIPTION
0	23-312	1	LH Brake Assembly Complete-US
0	23-313	1	RH Brake Assembly Complete-US
1	36-094-03	1	Backing Plate Assembly
2	54-064	1	LH Brake Cylinder Uni-Servo
2	54-065	1	RH Brake Cylinder Uni-Servo
3	54-060	1 or 2	Push Rod (1 for Uni, 2 for Duo)
4	87-001	2	Sems (Screw & Washer Assembly)
5	05-113	1	Anchor Post Washer
6	46-009	2	Retractor Spring
7	71-267	1	Shoe & Lining Kit Containing:
			1 #40-210 Primary Shoe & Lining
			1 #40-211 Secondary Shoe & Lining
			2 #46-077 Shoe Hold Down Spring
			2 #49-002 Shoe Hold Down Pin #8

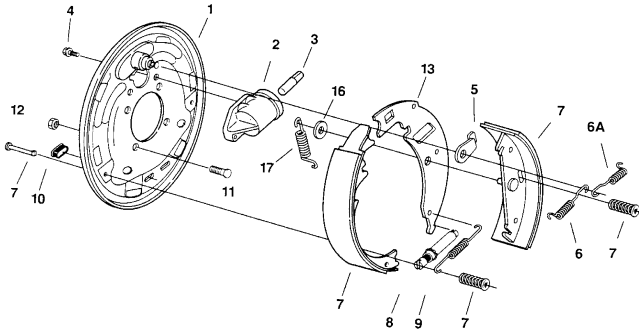
ITEM	PART NO.	QTY/BRK	DESCRIPTION
8	43-004	1	Adjuster Assembly
9	46-018	1	Adjusting Screw Spring
10	46-007	1	Plug
11	07-041	4	Brake Mounting Bolt
12	06-017	4	Brake Mounting Nut

Note: Dexter & Dico 10" hydraulic brakes & brake parts are interchangeable

HYDRAULIC BRAKE REPLACEMENT PARTS



DEXTER 10 X 2 1/4" HYDRAULIC BRAKE FREE BACKING - MARINE 3500 LBS. CAPACITY



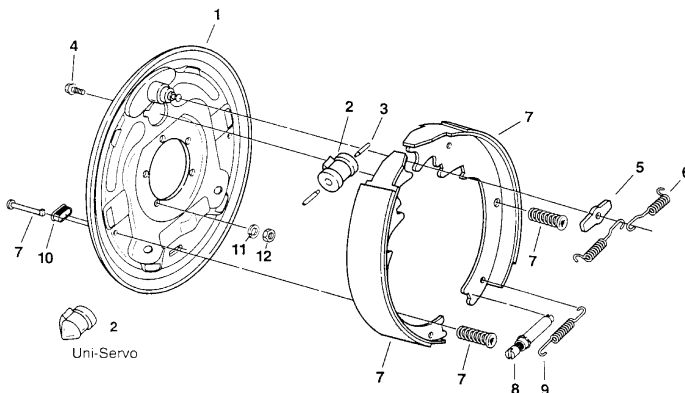
Note: This breakdown for Single Web shoes only. -For Double Web see Fulton Brake.

ITEM	PART NO.	QTY/BRK	DESCRIPTION
0	23-344-1	1	LH Brake Assembly Complete-FB
0	23-345-1	1	RH Brake Assembly Complete-FB
1	36-094-03	1	Backing Plate Assembly
2	54-064	1	LH Brake Cylinder Uni-Servo
2	54-065	1	RH Brake Cylinder Uni-Servo
3	54-060	1	Push Rod
4	87-001	2	Sems (Screw & Washer Assembly)
5	37-069-01	1	Travel Link
6	46-009	1	Retractor Spring
6A	46-107-01	1	Shoe Lever Return Spring
7	71-423	1	Shoe & Lining Kit (Marine) Containing: 1 #40-291 Primary Shoe & Lining 1 #40-292 Secondary Shoe & Lining

ITEM	PART NO.	QTY/BRK	DESCRIPTION
			2 #46-077 Shoe Hold Down Spring
			2 #49-002 Shoe Hold Down Pin #8
8	43-004	1	Adjuster Assembly
9	46-083	1	Adjusting Screw Spring
10	46-007	1	Plug
11	07-041	4	Brake Mounting Bolt
12	06-017	4	Brake Mounting Nut
13	40-240-01	1	Shoe Lever
16	05-064	1	Washer
17	46-108-01	1	Primary Shoe Return Spring
Note:			Dico 10" free backing brake parts available special order Brake Spring Kit 71-426 (Marine) Use L702 for Aluminum Cylinder

DEXTER 12 X 2" HYDRAULIC BRAKES - UNI-SERVO

6000 LBS. CAPACITY



ITEM	PART NO.	QTY/BRK	DESCRIPTION
0	23-324	1	LH Brake Assembly Complete-US
0	23-325	1	RH Brake Assembly Complete-US
1	36-093-03	1	Backing Plate Assembly
2	54-064	1	LH Brake Cylinder Uni-Servo
2	54-065	1	RH Brake Cylinder Uni-Servo
3	54-060	1 or 2	Push Rod
4	87-001	2	Sems (Screw & Washer Assembly)
5	05-113	1	Anchor Post Washer
6	46-101	2	Retractor Spring
7	71-268	1	Shoe & Lining Kit Containing:

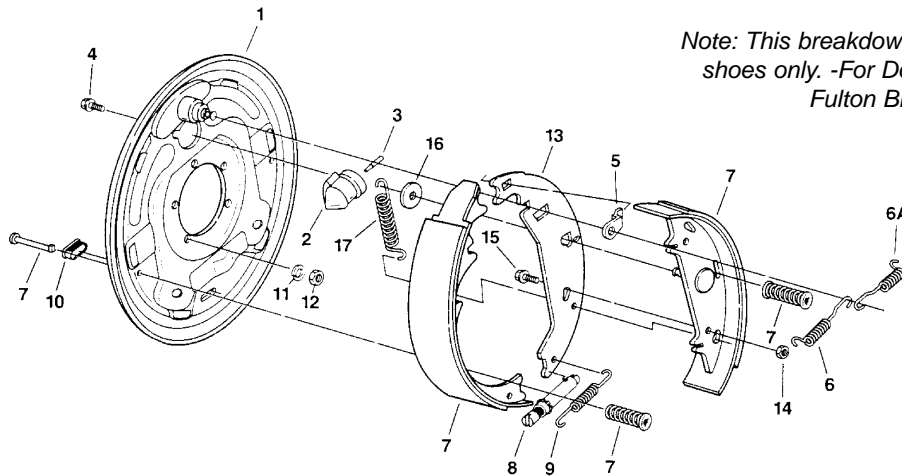
ITEM	PART NO.	QTY/BRK	DESCRIPTION
			1 #40-204 Primary S & L
			1 #40-206 Secondary S & L
			2 #46-077 Shoe Hold Down Spring
			2 #49-012 Shoe Hold Down Pin #4
8	43-029	1	Adjuster Assembly
9	46-102	1	Adjusting Screw Spring
10	46-007	1	Plug
11	05-004	5	Lockwasher
12	06-010	5	Brake Mounting Nut
Note:			Dexter & Dico 12" hydraulic brakes & brake parts are interchangeable

HYDRAULIC BRAKE REPLACEMENT PARTS



DEXTER 12 X 2" HYDRAULIC BRAKES FREE BACKING - MARINE

6000 LBS. CAPACITY



Note: This breakdown for Single Web shoes only. -For Double Web see Fulton Brake.

ITEM	PART NO.	QTY/BRK	DESCRIPTION
0	23-342-01	1	LH Brake Assembly Complete
0	23-343-01	1	RH Brake Assembly Complete
1	36-093-08	1	Backing Plate Assembly
2	54-064	1	LH Brake Cylinder Uni-Servo (Use L702 for aluminum)
2	54-065	1	RH Brake Cylinder Uni-Servo (Use L702 for aluminum)
3	54-060	1	Push Rod
4	87-001	2	Sems (Screw & Washer Assembly)
5	37-069-01	1	Travel Link
6	46-101	1	Retractor Spring
6A	46-107-01	1	Shoe Lever Return Spring
7	71-427	1	LH Shoe & Lining Kit (Marine) Containing: 1 #40-243-08 LH Primary Shoe & Lining 1 #40-315-02 LH Secondary Shoe & Lining 1 #46-077 Shoe Hold Down Spring-Sec. 2 #35-001 Shoe Hold Down Cup-Primary 1 #46-006 Shoe Hold Down Spring-Primary 1 #49-013 Shoe Hold Down Pin #1-Primary 1 #49-002 Shoe Hold Down Pin #8-Sec.
7	71-428	1	RH Shoe and Lining Kit (Marine) Containing: 1 #040-243-09 RH Primary Shoe & Lining 1 #040-315-01 RH Secondary Shoe & Lining 1 #046-077 Shoe Hold Down Spring-Sec. 2 #035-001 Shoe Hold Down Cup-Primary 1 #046-006 Shoe Hold Down Spring-Primary 1 #049-013 Shoe Hold Down Pin #1-Primary 1 #049-002 Shoe Hold Down Pin #8-Sec.
8	43-028	1	Adjuster Assembly
9	46-123	1	Adjusting Screw Spring
10	46-007	1	Plug
11	05-004	5	Lockwasher
12	06-010	5	Brake Mounting Nut
13	40-244-01	1	Shoe Lever
14	06-011-01	1	Locknut
15	07-210	1	Screw
16	05-064	1	Washer
17	46-108-01	1	Primary Shoe Return Spring

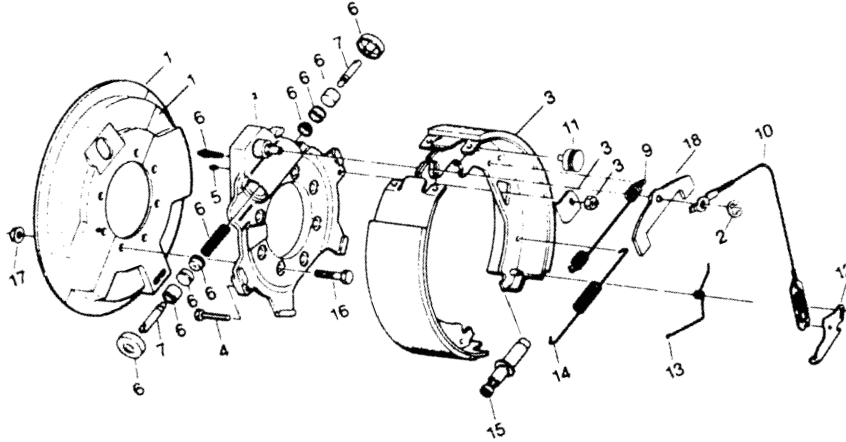
Note: Dico 12" free backing brake parts available special order

Complete Brake Spring Kit = 71-434 (Marine)

HYDRAULIC BRAKE REPLACEMENT PARTS



DEXTER 12 1/4 X 3 3/8 HYDRAULIC BRAKE



8K

Hydraulic

ITEM	PART NO.	QTY. PER BRAKE	DESCRIPTION
0	23-138*	1	LH Complete Brake Assembly*
0	23-139*	1	RH Complete Brake Assembly*
1	36-115-20	1	Dust Shield Kit
2	69-53	1	Retainer
3	71-165	1	LH Shoe & Lining Kit containing: 1 #40-199-1 LH Primary S&L 1 #40-199-2 LH Secondary S&L 2 #5-107 Shoe Hold Down Washer 2 #6-86 Locknut 1 #71-443 Adjuster Cable
3	71-166	1	RH Shoe & Lining Kit containing: 1 #40-200-1 RH Primary S&L 1 #40-200-2 RH Secondary S&L 2 #5-107 Shoe Hold Down Washer 2 #6-86 Locknut 1 #71-443 Adjuster Cable
4	7-113	2	Shoe Hold Down Screw
5	54-34	1	Insert Seat
6	71-80	1	Wheel Cylinder Kit (1.00" Bore) containing: 1 #46-130 Spring 2 #54-32 Boot 2 #54-41 Piston 1 #54-35 Bleeder Screw
7	54-33	2	Cylinder Push Rod
8	36-64-3	1	Spider Assembly (contains #4,5,6 & 7)
9	46-87	1	Retractor Spring
10	71-443	1	Adjuster Cable
11	71-163	1	Cable Guide
12	71-19-1	1	LH Adjuster Lever
	71-19-2	1	RH Adjuster Lever
13	46-73	1	LH Adjuster Lever Spring (blue)
	46-74	1	RH Adjuster Lever Spring (white)
14	46-72	1	Adjuster Spring
15	48-9	1	LH Adjuster Assembly
	48-10	1	RH Adjuster Assembly
16	7-97	4	Brake Mounting Bolt
17	6-46	4	Brake Mounting Nut
18	34-62	1	Piston Stop

9K & 10K GENERAL DUTY

Hydraulic

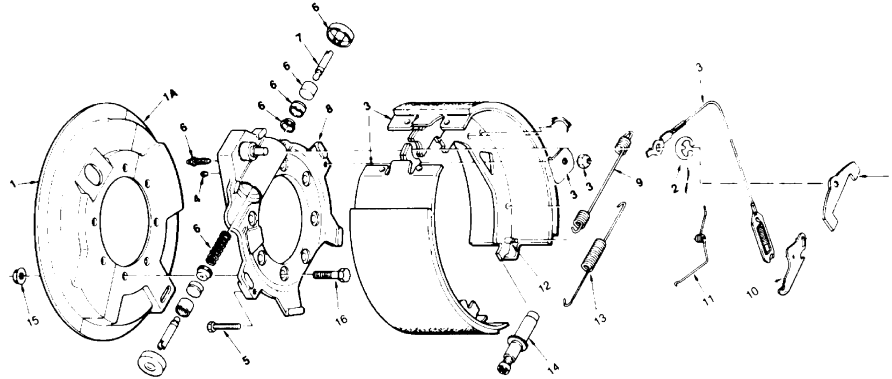
ITEM	PART NO.	QTY. PER BRAKE	DESCRIPTION
0	23-410*	1	LH Complete Brake Assembly*
0	23-411*	1	RH Complete Brake Assembly*
1	36-115-21	1	Dust Shield Kit, Top/Bottom
2	69-53	1	Retainer
3	71-165	1	LH Shoe & Lining Kit containing: 1 #40-199-1 LH Primary S&L 1 #40-199-2 LH Secondary S&L 2 #5-107 Shoe Hold Down Washer 2 #6-86 Locknut
3	71-166	1	RH Shoe & Lining Kit containing: 1 #40-200-1 RH Primary S&L 1 #40-200-2 RH Secondary S&L 2 #5-107 Shoe Hold Down Washer 2 #6-86 Locknut
4	7-113	2	Shoe Hold Down Screw
5	54-34	1	Insert Seat
6	71-81	1	Wheel Cylinder Kit (1.25" Bore) containing: 1 #46-128 Spring 2 #54-32 Boot 2 #54-38 Piston 2 #54-86 Cup 1 #54-35 Bleeder Screw
7	54-33	2	Cylinder Push Rod
8	36-63-6	1	Spider Assembly (contains #4,5,6 & 7)
9	46-87	1	Retractor Spring
10	71-462	1	Adjuster Cable
11	71-163	1	Cable Guide
12	71-464	1	LH Adjuster Lever
	71-463	1	RH Adjuster Lever
13	46-135	1	LH Adjuster Lever Spring
	46-134	1	RH Adjuster Lever Spring
14	46-133	1	Adjuster Spring or Adjuster Clip (new style)
15	48-19	1	LH Adjuster Assembly
	48-20	1	RH Adjuster Assembly
16	7-116	4	Brake Mounting Bolt
17	6-92	4	Brake Mounting Nut
18	34-62	1	Piston Stop
NOT SHOWN	46-132	1	Adjuster Clip (Thread End)

*NOTE: These complete assemblies are obsolete and no longer available - Please order individual components for repair

HYDRAULIC BRAKE REPLACEMENT PARTS



DEXTER HEAVY DUTY HYDRAULIC BRAKE 10K, 12K, 15K



BRAKE ASSEMBLIES

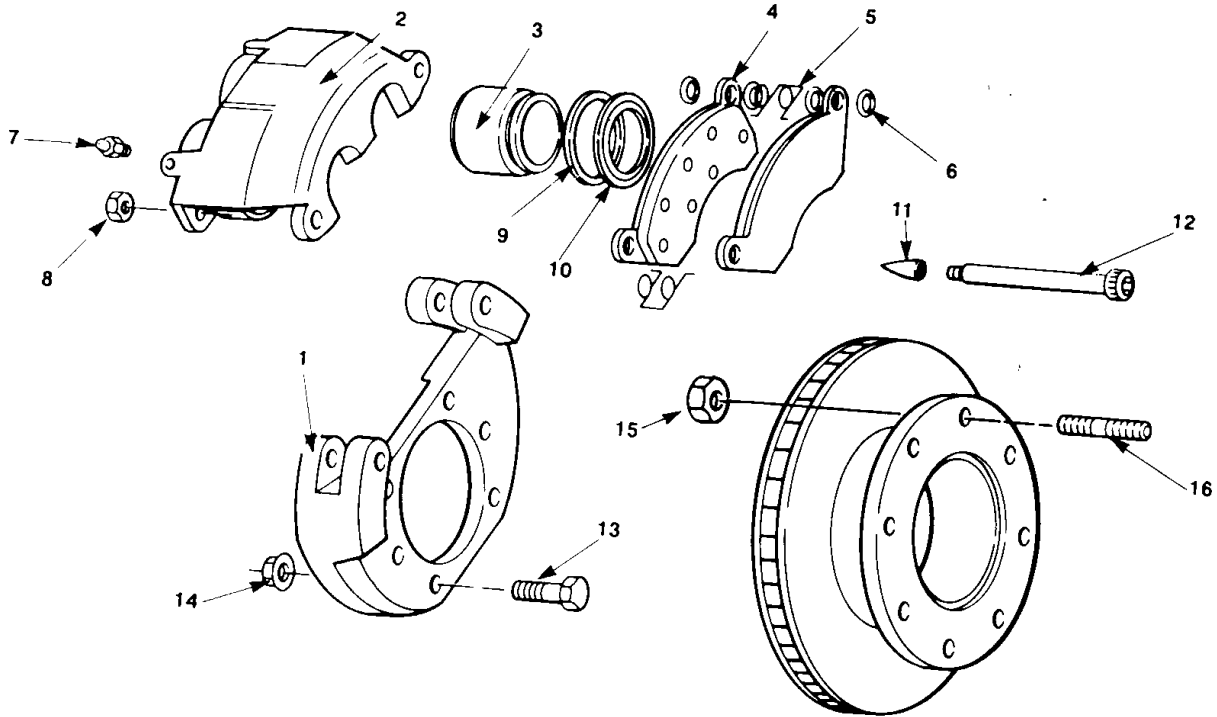
		12 1/4 X 4 10K	12 1/4 X 5 12K	12 1/4 X 5 15K
DUO-SERVO	L.H.	23-404	23-408	23-406
	R.H.	23-405	23-409	23-407

ITEM	DESCRIPTION	QTY. PER BRAKE	12 1/4 X 4	12 1/4 X 5	12 1/4 X 5
			10K PART NO.	12K PART NO.	15K PART NO.
1	DUST COVER	1	36-115-22	36-115-23	36-115-23
2	RETAINER	1	69-53	69-53	69-53
3	L.H. SHOE & LINING KIT	1	71-167	71-169	71-169
KIT MEMBERS	L.H. PRIMARY S & L	1	40-197-1	40-195-1	40-195-1
	L.H. SECONDARY S & L	1	40-197-2	40-195-2	40-195-2
	HOLDDOWN WASHER	2	5-107	5-107	5-107
	HOLDDOWN LOCKNUT	2	6-86	6-86	6-86
3	R.H. SHOE & LINING KIT	1	71-168	71-170	71-170
KIT MEMBERS	R.H. PRIMARY S & L	1	40-198-1	40-196-1	40-196-2
	R.H. SECONDARY S & L	1	40-198-2	40-196-2	40-196-1
	HOLDDOWN WASHER	2	5-107	5-107	5-107
	HOLDDOWN LOCKNUT	2	6-86	6-86	6-86
	ADJUSTER CABLE	1	71-462	71-462	71-462
	PISTON STOP	1	34-62	34-62	34-62
4	CYLINDER PLUG	1	54-37	54-37	54-37
5	SHOE HOLDDOWN SCREW	2	7-113	7-113	7-113
6	WHEEL CYLINDER KIT	1	71-81	71-81	71-82
KIT MEMBERS	CYLINDER SPRING	1	46-128	46-128	46-129
	CYLINDER BOOT	2	54-32	54-32	54-32
	CYLINDER PISTON	2	54-38	54-38	54-30
	CYLINDER CUP	2	54-86	54-86	54-87
	BLEEDER SCREW	1	54-35	54-35	54-35
		CYLINDER PUSH ROD	2	54-33	54-33
8	SPIDER Assemblies	1	36-63-6	36-63-6	36-63-4
9	RETRACTOR SPRING	1	46-87	46-87	46-87
10	L.H. ADJUSTER LEVER	1	71-464	71-464	71-464
	R.H. ADJUSTER LEVER	1	71-463	71-463	71-463
11	L.H. ADJUSTER LEVER SPRING	1	46-135	46-135	46-135
	R.H. ADJUSTER LEVER SPRING	1	46-134	46-134	46-134
12	PIVOT PIN	1	71-17	71-17	71-17
13	ADJUSTER SPRING OR CLIP (NEW STYLE)	1	46-72, 46-133	46-72, 46-133	46-72, 46-133
14	L.H. ADJUSTER Assemblies	1	48-19	48-19	48-19
	R.H. ADJUSTER Assemblies	1	48-20	48-20	48-20
15	FLANGE NUT	7	6-92	6-92	6-92
16	BRAKE MOUNTING BOLT	7	7-116	7-116	7-116
NOT SHOWN	ADJUSTER CLIP (THREAD END)		46-132	46-132	46-132

HYDRAULIC BRAKE REPLACEMENT PARTS



DEXTER HYDRAULIC DISC BRAKE PARTS 10K, 12K



ITEM	QTY. PER AXLE	DESCRIPTION	10K, 12K PART NO.
1	2	Anchor Yoke Assembly	90-02-02
2	2	Caliper Assembly	89-02-02
3	4	Caliper Piston	54-66
4	4	Brake Pad	91-02-01
5	4	Anti-Rattle Spring	46-105
6	12	O Ring	10-62
7	2	Bleeder Screw	54-69
8	4	Hex Locknut	6-125
9	4	Caliper Seal	54-67
10	4	Dust Boot	54-68
11	1	Installation Tool	71-182
12	4	Shoulder Screw 5/8 x 5"	7-186
13	14	Hex Screw 7/16 - 20 x 1.75"	7-116
14	16	Flange Nut	6-46
15	14	Hex Nut 7/16 - 20	6-17
16	16	Rotor Mounting Stud	25-14
not shown	2	Caliper Repair Kit	71-181 (contains 6, 7, 9, & 10)
not shown	1	Disc Brake Replacement Pad Kit	71-180 (contains 4, 5, 8, & 11)

Note: Now stocking 3500# and 6000# Disc Brake Retrofit Kits

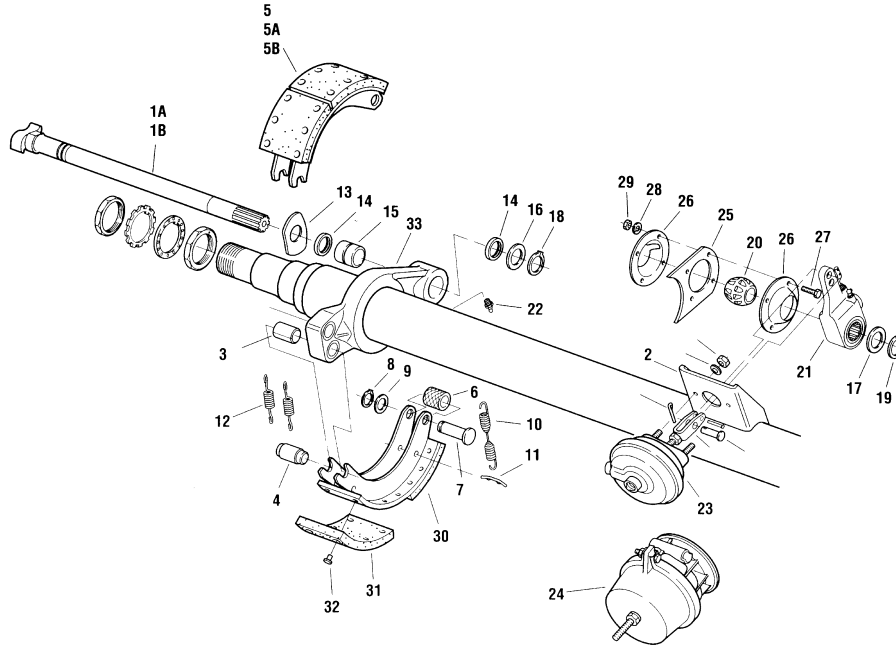
These boxed kits include Hubs, Calipers & Rotors.

71-633	3500# LH
71-634	3500# RH
71-638	6000# LH
71-639	6000# RH

AIR BRAKE REPLACEMENT PARTS



DEXTER AIR BRAKE PARTS 10K, 12K, 15K



ITEM	DESCRIPTION	QTY. PER BRAKE	12 1/4 X 4	12 1/4 X 5
			10K PART NO.	12K, 15K PART NO
1A	CAMSHAFT L.H.	1	34-188	34-188
1B	CAMSHAFT R.H.	1	34-189	34-189
2	AIR CHAMBER BRACKET	1	34-61	34-61
5	SHOE AND LINING ASSEMBLY	2	40-321-01	40-322-01
5A	SHOE AND ROLLER ASSEMBLY RH	1	40-321-03	40-322-03
5B	SHOE AND ROLLER ASSEMBLY LH	1	40-321-02	40-321-02
13	"D" WASHER, CAMSHAFT	1	5-74	5-74
14	GREASE SEAL	2	10-52	10-52
15	CAMSHAFT BUSHING	1	14-56	14-56
16	WASHER-CAMSHAFT SPIDER END	1	5-75	5-75
17	CAMSHAFT WASHER - 28 SPLINE	1	5-134	5-134
18	RETAINER - CAMSHAFT	1	69-20	69-20
19	RETAINER - CAMSHAFT END	1	69-78	69-78
20	CAMSHAFT SUPPORT BUSHING	1	14-58	14-58
21	AUTOMATIC SLACK ADJUSTER - 28 SPLINE	1	55-40	55-40
21	MANUAL SLACK ADJUSTER - 28 SPLINE	1	55-39	55-39
22	GREASE FITTING	1	61-6	61-6
23	AIR CHAMBER w/HARDWARE	1	34-19	34-59
24	SPRING BRAKE	1	34-42*	34-60
25	PLATE-CAMSHAFT SUPPORT BRACKET	1	34-31	34-31
26	PLATE, BUSHING RETAINER	2	34-32	34-32
27	BOLT, RETAINER PLATE	4	7-139	7-139
28	LOCK WASHER	4	5-79	5-79
29	NUT	4	6-99	6-99
33	BRAKE SPIDER	1	36-113-02	36-113-02
BRAKE SHOE REPAIR KIT CONTAINING:		1	71-460	71-460
3	BUSHING SPIDER ANCHOR PIN	2	14-68	14-68
4	ANCHOR PIN	2	56-17	56-17
6	ROLLER	1	14-57	14-57
7	ROLLER PIN	2	56-10	56-10
8	ROLLER PIN RETAINER	2	69-18	69-18
9	ROLLER PIN SPEACER	2	5-76	NOT USED
10	RTRACTOR SPRING	1	46-92	46-92
11	RETAINER PIN	2	56-18	56-18
12	SHOE KEEPER SPRING	2	46-97	46-97
BRAKE BLOCK KIT CONTAINING:		1	71-102	71-152
31	BRAKE BLOCK ANCHOR	2	41-52-01	41-53-01
30	BRAKE BLOCK CAM	2	41-52-02	41-52-02
32	RIVET	24	22-18	22-18

NOTE: Old style shoes have 2 closed ends ("P" style) - Call for part numbers